

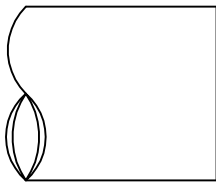
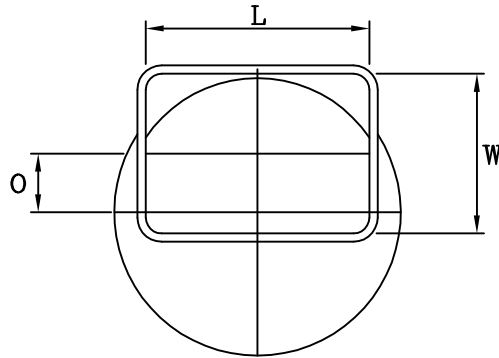


MULTI FITTINGS

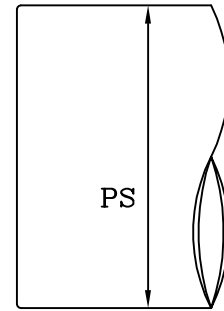
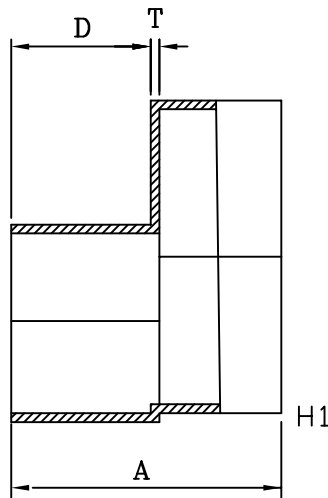
LAYING LENGTH

ISSUE DATE: MAY 10/05
SUPERCEDES:

OFFSET DOWN SPOUT ADAPTER



DOWN SPOUT



SPIGOT

INJECTION MOLDED FITTING (M)

	SIZE WxLxH1	PART NUMBER	O REF	W REF	L REF	D REF	T REF	A REF	PS
M	2x3x4	040765	0.920	2.500	3.500	2.000	0.125	3.875	4.215 084
M	3x4x4	040767	0.421	3.500	4.500	2.000	0.125	3.875	4.215 084
M	4x6x6	040766	1.100	4.250	6.250	3.000	0.180	5.180	6.275 084