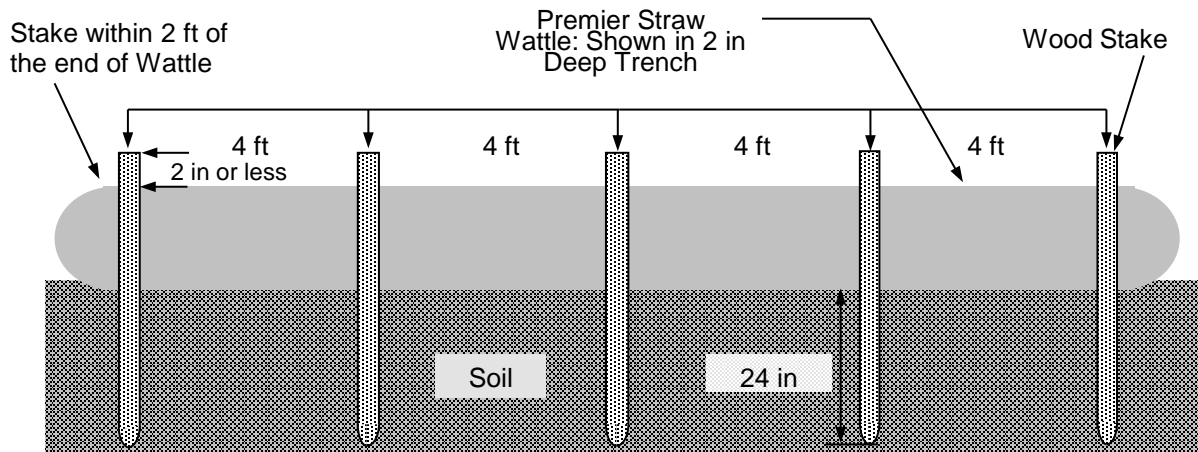
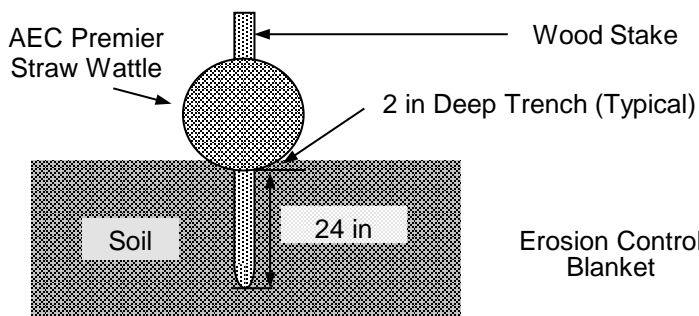




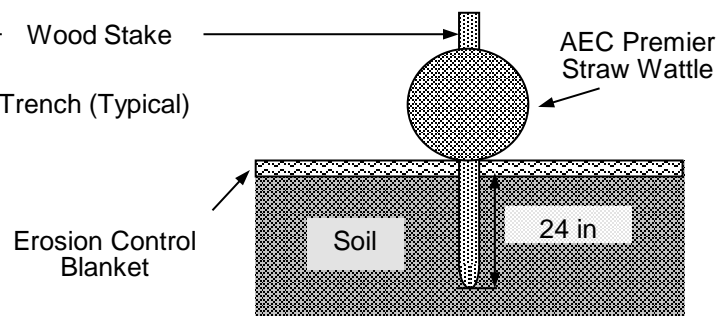
## AEC PREMIER STRAW® WATTLES Staking Pattern Guide



Wattle Cross Section: On Bare Soil



Wattle Cross Section: On Erosion Control Blanket



**Notes:**

1. Drawings are not to scale.
2. Ends of Wattles shall be turned slightly up slope.
3. Recommended stakes are wooden 1 1/8 in wide x 1 1/8 in thick by a minimum of 30 in long for 9 in and 12 in AEC Premier Straw Wattles and 48 in long for 20 in AEC Premier Straw Wattle. Stakes shall not extend above the straw wattle more than 2 in.