

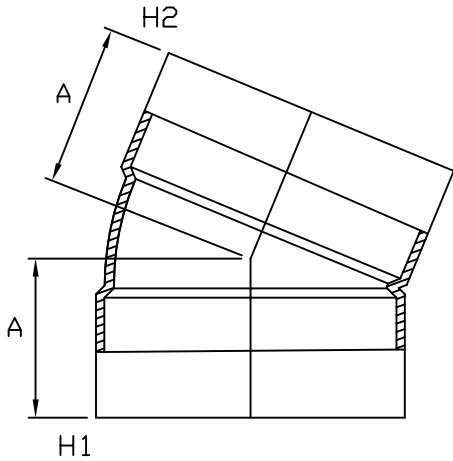


MULTI FITTINGS

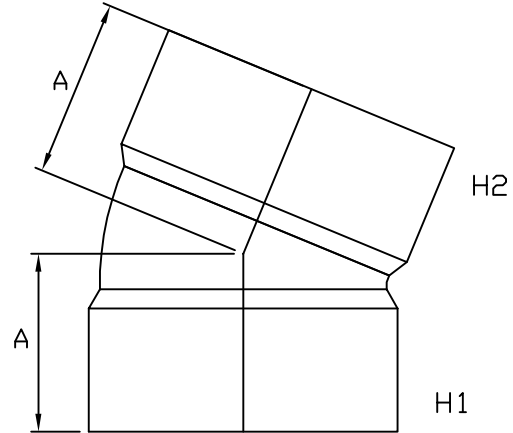
# LAYING LENGTH

ISSUE DATE: MAY 10/05  
 SUPERCEDES: JAN 19/01

## 22 1/2° ELBOW (HxH) (1/16 BEND)



INJECTION MOLDED FITTING (M)



FABRICATED FITTING (F)

	SIZE H1xH2	PART NUMBER	REFERENCE NUMBER	A REF	
M	3x3	040963	284430	1. 875	084
M	4x4	040964	284448	2. 250	084
M	6x6	040969	284463	3. 875	084
M	8x8	040970	284480	5. 125	084
-	10x10	040971	284410	-	P
F	12x12	040973	284412	10. 500	082
-	15x15	040974	274415	-	P
-	18x18	040042	-	-	P