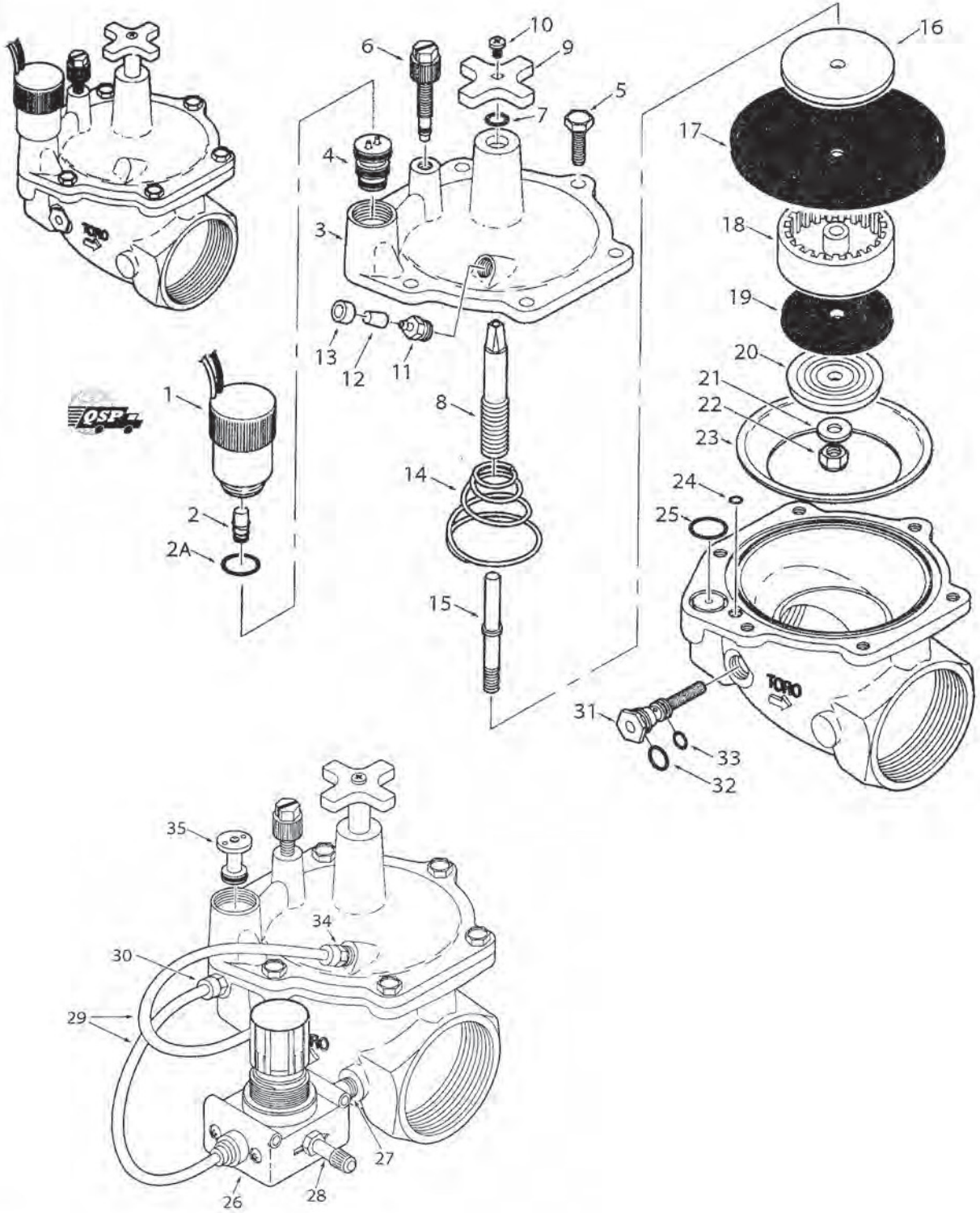


TORO

216 Series 2" Brass Electric Valves

T
O
R
O



216 Series

2" Brass Electric Valves



Item #	Description	2"
Solenoid Assemblies		
1	Solenoid (Complete) R Co.	SOL3
1	Solenoid (Complete) (PR) Toro	353099
2	Solenoid Plunger w/Spring (PR)	RCO400013
2A	Solenoid O-Ring	RCO110005
Valve Bonnet Assembly		
3	Valve Bonnet (Electric)	896384
3	Valve Bonnet (Hydraulic)	896386
3	Valve Bonnet (PR)	896385
4	Actuator Assembly (w/O-Ring)	893407
5	Valve Bonnet Bolts	3600499
6	Manual Bleed	OBSOLETE
7	Valve Stem O-Ring	3600493
8	Valve Stem	94543
9	Cross Handle	94527
10	Handle Screw	3600498
11	Poly Connector (Hydraulic)	90024
12	Poly Cap (Hydraulic)	OBSOLETE
13	Retainer Tube (Hydraulic)	90040
Diaphragm Assemblies		
14	Diaphragm Spring	891652
15-22	Diaphragm Assembly (Electric)	95363
15-22	Diaphragm Assembly (Hydraulic N.O.)	95363
15-22	Diaphragm Assembly (PR & CR)	95363
15	Diaphragm Shaft	97534
16	Upper Diaphragm Support Plate	353139
17	Diaphragm Only	94542
18	Diaphragm Spacer	353141
19	Seat Disc	353142
20	Seat Disc Retainer	94536
21	Seat Disc Washer	3600140
22	Seat Disc Nut	3600594
23	Diaphragm Support	94541
Valve Body Assemblies		
Valve Body (NPT)		
24	O-Ring	RCO110033
25	O-Ring	RCO110006
Pressure Regulator (PR)		
26	Regulator	OBSOLETE
27	Regulator Nipple	3633154
28	Schrader Valve	3631762
29	Hydraulic Tube 1/4" x 8"	92623
30	Tube Retainer	90040
31	Filter Assembly (Electric)	95365
31	Filter Assembly (PR)	354619
32	O-Ring	3600494
33	O-Ring	RCO110001
34	Poly Adapter (PR)	90024
35	Two Way Plug Assembly (PR)	355680
36	Communication Plug (PR) (Not Shown)	356363

T
O
R
O