

Irritrol®



The Irritrol® 200B Series globe/angle valves have built their popularity on a proven record of reliability and a reputation for offering valuable features at an affordable price. The 200B Series provides manual internal and external bleed, heavy-duty, UV-resistant PVC construction, stainless steel hardware, a double-beaded diaphragm and a captive solenoid plunger.

200B SERIES VALVES

HEAVY-DUTY, CORROSION- AND UV-RESISTANT PVC CONSTRUCTION WITH STAINLESS STEEL SPRING AND HARDWARE

Provides consistent operation

SLOW-CLOSING DESIGN

Reduces water hammer and resulting stress on the system

RUGGED, DOUBLE-BEADED SANTOPRENE® DIAPHRAGM

Ensures a leak-proof seal

INTERNAL AND EXTERNAL BLEED (FLUSH MODE)

Allows for manual operation

ACCEPTS OMNIREG® MODULAR PRESSURE REGULATOR

Ensures consistent performance

HIGH-STRENGTH RIBBED BONNET AND BOTTOM INLET

Increases durability

UNIQUE THREE-WAY STAINLESS STEEL BONNET

Screws accept Phillips, flat-blade and hex-driver tools for easy servicing without removal from the system



ELECTRIC GLOBE/ANGLE
1", 1½", AND 2" PLASTIC MODELS

IRRITROL.COM

ADDED FEATURES

- Flow control allows precise adjustment and manual shutoff
- Buna-N valve seat seal
- Unique threaded inlet plug O-ring seal prevents leaks
- Encapsulated injection-molded solenoid with a captive hex plunger
- Five-year warranty

OPERATING SPECIFICATIONS

- Flow range: 5-120 GPM
- Pressure range: 20-150 psi

ELECTRICAL SPECIFICATIONS

- Solenoid: 24 V ac
- Inrush volt-amp: 24 V ac-9.6 VA
- Inrush current: .4 amp
- Holding volt-amp: 24 V ac-4.8 VA
- Holding current: .2 amp



MODELS

Model	Description
214B	1" NPT threads, flow control
216B	1½" NPT threads, flow control
217B	2" NPT threads, flow control

DIMENSIONS

- **214B:** H: 6 1/2", W: 2 1/2", L: 4 1/2"
- **216B:** H: 7 3/4", W: 4 1/4", L: 5 1/2"
- **217B:** H: 8 3/4", W: 5 3/8", L: 6 1/4"

OPTIONAL ACCESSORIES*

- OmniReg® 5-30 psi regulator (OMR-30)†
- OmniReg 5-100 psi regulator (OMR-100)†
- Recycled-water solenoid kit (RW60-KIT); purple solenoid with purple warning tag
- DC latching solenoid (DCL) †

Note: Maximum pressure for a valve that utilizes latching solenoid is 120 psi.

* Optional accessories are field-installable. Must specify separately if required.

† Not compatible with 102 anti-contamination models

SPECIFYING INFORMATION

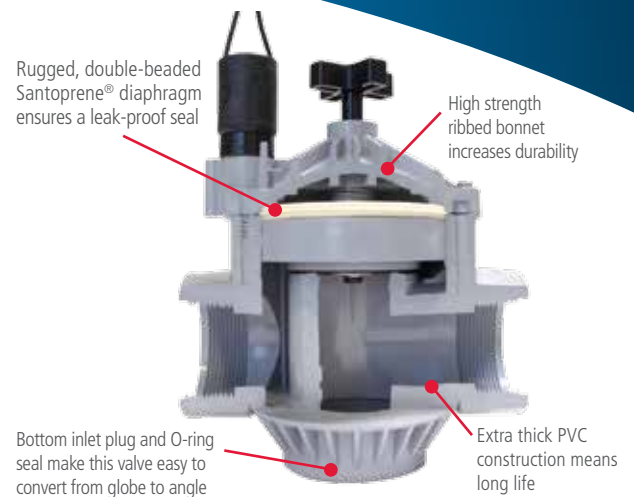
MODEL	SIZE
21 - 200B Series electric valve	4 - 1" size 6 - 1½" size 7 - 2" size

Example: A 200B Series 1" electric valve = **214B**

FRICTION LOSS DATA

MODEL	SIZE	GLOBE ANGLE	Flow Rate - GPM												
			5	10	15	20	30	40	50	60	80	100	120		
214B	1"	G	3.36	2.60	1.82	2.35	5.40								
		A	3.09	2.20	1.48	1.98	4.00								
216B	1½"	G				3.04	2.66	2.33	2.97	4.14	5.62				
		A				2.76	2.24	1.99	2.30	3.10	4.42				
217B	2"	G				2.00	1.93	1.73	1.55	1.68	2.99	4.85	6.31		
		A				2.00	1.93	1.73	1.55	1.59	2.15	3.27	4.88		

Pressure loss data are derived from valves independently tested by CIT, Fresno, CA.



We reserve the right to improve our products and make changes in the specifications and designs without notice and without incurring obligation. Products depicted in this brochure are for demonstration purposes only. Actual products offered for sale may vary in design and features.