

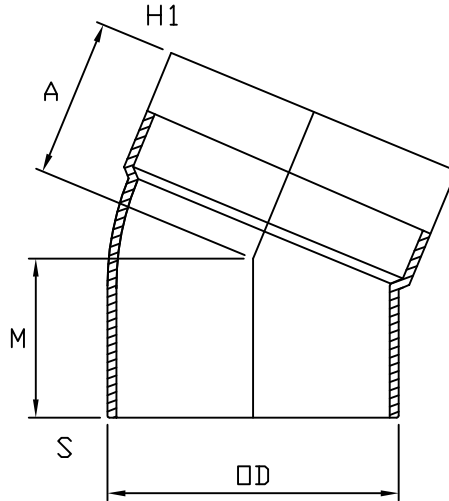


MULTI FITTINGS

LAYING LENGTH

ISSUE DATE: MAY 10/05
SUPERCEDES: JAN 19/01

22 1/2° ELBOW (SxH) (1/16 BEND)



INJECTION MOLDED FITTING (M)

	SIZE SxH1	PART NUMBER	REFERENCE NUMBER	M REF	A REF	OD	
M	4x4	040864	284547	2.375	2.375	4.215	084
M	6x6	040866	284562	4.600	3.812	6.275	084
	18x18	040977	-	-	-	18.701	P