

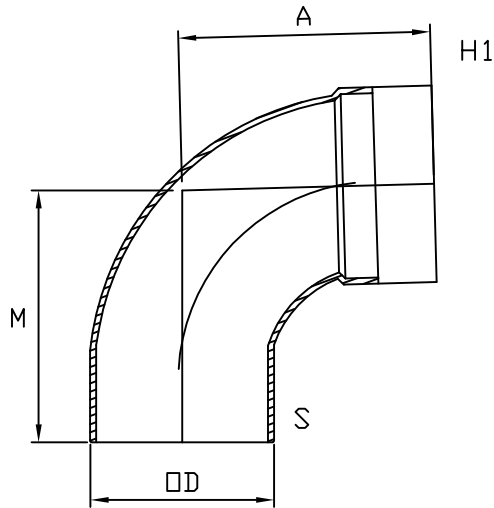


MULTI FITTINGS

LAYING LENGTH

ISSUE DATE: MAY 10/05
SUPERCEDES: JAN 19/01

90° LONG ELBOW (SxH) (1/4 BEND)



INJECTION MOLDED FITTING (M)

	SIZE SxH1	PART NUMBER	REFERENCE NUMBER	A REF	M REF	OD	
M	3x3	040272	280735	4.375	4.500	3.250	084
M	4x4	040234	280743	5.375	5.375	4.215	084
	6x6	040282	-	-	-	6.275	P
	8x8	040283	-	-	-	8.400	P