

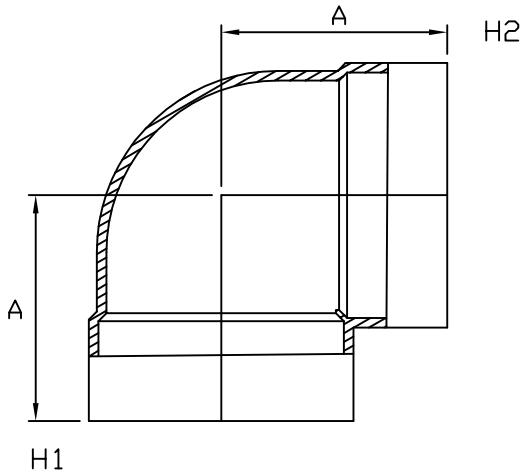


MULTI FITTINGS

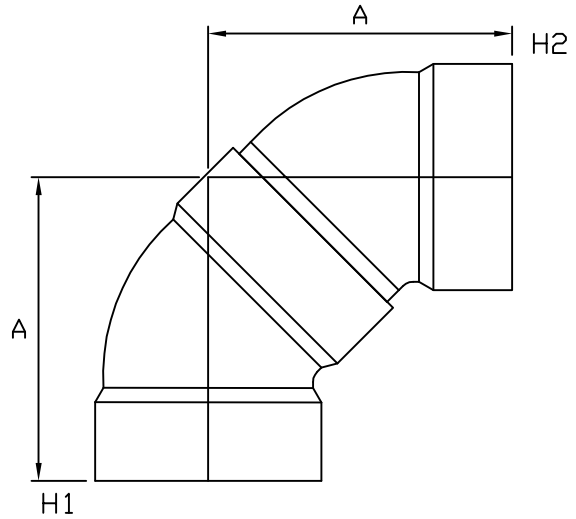
LAYING LENGTH

ISSUE DATE: APR 22/05
SUPERCEDES: MAY 10/05

90° VENT ELBOW (HxH) (1/4 BEND)



INJECTION MOLDED FITTING (M)



FABRICATED FITTING (F)

	SIZE H1xH2	PART NUMBER	REFERENCE NUMBER	A REF	
M	3x3	040037	-	3.125	084
M	4x4	040256	-	4.000	084
M	6x6	040206	280560	6.250	084
M	8x8	040208	280586	8.375	084
M	10x10	040260	280503	10.500	056
M	12x12	040261	280512	12.500	084
-	15x15	040262	270515	-	P
-	18x18	040263	-	-	P
-	24x24	040075	-	-	P