

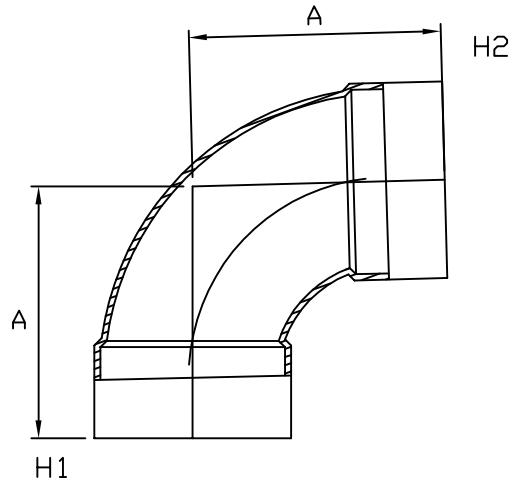


MULTI FITTINGS

LAYING LENGTH

ISSUE DATE: MAY 10/05
SUPERCEDES: JAN 19/01

90° LONG ELBOW (HxH) (1/4 BEND)



INJECTION MOLDED FITTING (M)

	SIZE H1xH2	PART NUMBER	REFERENCE NUMBER	A REF	
M	3x3	040255	280636	4. 375	084
M	4x4	040214	280644	5. 375	084
M	6x6	040280	-	8. 375	084
	8x8	040036	-	-	P