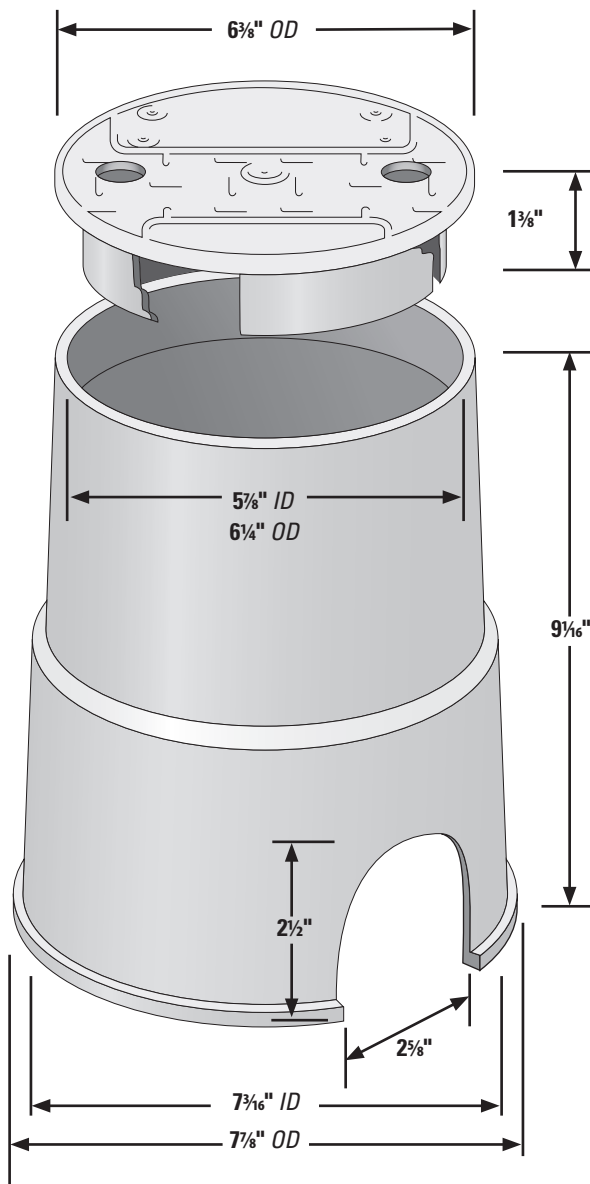




MacLean™
HIGHLINE

6" ECONO UTILITY BOXES



- SUPERFLEXON material
 - Stronger than structural foam, greater top-load strength
 - More UV and wear resistant than structural foam
- 10 Year Lid Guarantee
- Lighter than cast iron or concrete boxes
 - Easier warehouse handling
 - Reduced injury potential
- Available in black and green
- Snap fit on drop-in lid
 - Keeps lid in place in high water
- T-Top lid
 - Reduces dirt in box
- Lids available in green, black, brick red and brown mulch
- Universal lid fits competitor's boxes

"You're Covered!"



6" ECONO UTILITY BOXES

DESCRIPTION	PART #	DESCRIPTION	PART #
6" ECONO BOX ASSEMBLIES		LIDS ONLY	
Valve Box (w/2 Mouse Holes)		Valve Box	
Black Box, Green Lid	182101	Green "Valve Box" Universal Econo Lid	182013
Black Box, Brown Mulch Lid	182109	Black "Valve Box" Universal Econo Lid	182015
		Brown Mulch "Valve Box" Universal Econo Lid	182017
Electric		Reclaimed Water	
Green Box, Green Lid	182112	Purple "Reclaimed Water" Universal Econo Lid	182016
BOXES ONLY		Electric	
Black w/2 Mouse Holes	182001	Black "Electric" Universal Econo Lid	182018
Green w/2 Mouse Holes	182011	Green "Electric" Universal Econo Lid	182020
Purple w/2 Mouse Holes	182012	Blank	
		Black Universal Econo Lid	182019
		CATV	
		Green "CATV" Universal Econo Lid	182014

SUPERFLEXON BOXES AND COVERS

SUPERFLEXON is a plastic material made of a rigid combination of polyolefin and fibrous inorganic components. It is chemically inert and normally unaffected by moisture, corrosion and the effects of temperature changes. SUPERFLEXON also has a high tensile strength with light weight because it is a solid (not foamed) structural material.

SUPERFLEXON covers are NOT traffic covers and should not be used in roadways, etc.

Physical Properties	ASTM Test Method	Minimum Test Value
Tensile Strength (2.0"/min.)	D-638-82a	3,400 psi
Flexural Modulus	D-790-81	191,000 psi
Compressive Strength (0.05"/min.)	D-695-80	3,350 psi
Impact Strength, Izod	D-256-81	0.6 ft. lb/in.
Durometer Hardness, Type D	D-2240-81	60
Deflection Temp. @ 66 psi Stress	D-648-82	230°F
Specific Gravity	D-792-66 (1979)	1.15



481 Munn Road, Suite 300, Fort Mill, SC 29715, USA
 Phone: 803.628.4380 • Fax: 803.792.4612
 E-mail: info@macleanhighline.com
 www.highlineaccessboxes.com