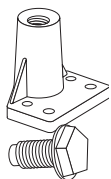
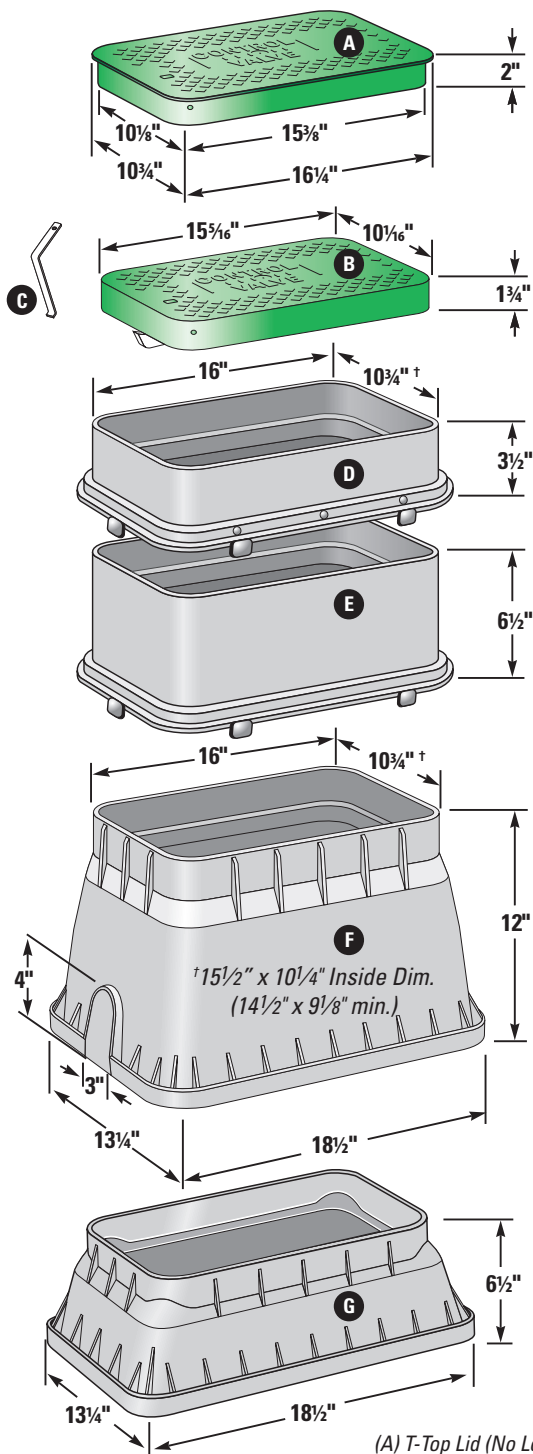


HIGHLINE

PRODUCTS

STANDARD IRRIGATION TURF BOXES



Optional Pentagon Lock
(Needs Pentagon Lid)

- (A) T-Top Lid (No Locks)
- (B) Drop-in Lid (w/Snap Locks)
- (C) Optional Snap Lock Tool
- (D) 3" Extension
- (E) 6" Extension
- (F) 12" Standard Box
- (G) 6" Flared Box

- SUPERFLEXON material
 - Stronger than structural foam, greater top-load strength
 - More UV and wear resistant than structural foam
 - 10 Year Lid Guarantee
- Lighter than cast iron or concrete boxes
 - Easier warehouse handling
 - Reduced injury potential
- Snap locks on drop-in lid
 - Discourage vandalism
 - Keep lid in place in high water
- Lids are easily interchangeable
- T-top lid will fit boxes of other manufacturers
- Lids available in black, green, tan, and brown mulch
- Boxes available in black, tan and white (6", 12" and 18" high)
- Closed mouse holes standard



"You're Covered!"

STANDARD IRRIGATION TURF BOXES

DESCRIPTION	PART #	DESCRIPTION	PART #
STANDARD 6" BOX ASSEMBLIES		LIDS ONLY	
Control Valve		Control Valve	
Black 6" Flared Box, Green Lid w/Snap Lock	170130	Black w/Snap Lock	171117
Black 6" Flared Box, Green T-Top Lid, No Lock	174519	Green w/Snap Lock	173134
Black 6" Box Extension, Green Lid w/Snap Lock	170116	Green w/Pentagon Lock	173142
STANDARD 12" BOX ASSEMBLIES		Brown Mulch w/Snap Lock	173145
Control Valve		Brown Mulch T-Top, No Lock	174031
Black Box, Green Lid w/Snap Lock	170106	Tan Lid w/Snap Lock	173150
Black Box, Green T-Top Lid, No Lock	174501	Green T-Top, No Lock	174030
Black Box, Green T-Top Lid w/Reflector, No Lock	174520	Green T-Top w/Snap Lock	174101
Black Box, Green Lid w/Pentagon Lock	170128	Green T-Top w/Snap Lock & Reflector	174520
Black Box, Black Lid w/Snap Lock	170133	Green T-Top w/Reflector, No Lock	174017
Black Box, Black T-Top Lid w/Snap Lock	174541	EXTENSIONS	
Black Box, Brown Mulch Lid w/Snap Lock	170136	3" Black	170102
STANDARD 18" BOX ASSEMBLIES		6" Black	170103
Control Valve (w/2 Mouse Holes)		ACCESSORIES	
Black 18" Box, Green Lid w/Snap Lock	194537	Lexan Bolt-Pentagon Lock	143003
BOXES ONLY		Reflector Screw, 1/4"x14x1/4", Type AB	143511
Black, Standard w/Closed Mouse Holes	170101	Lexan Locking Nut-Pentagon Lock	143013
Black, Standard w/2 Mouse Holes Open	170204	Hexagon Steel Bolt	143014
Black, Standard w/Open Mouse Holes and Bolt Receptor	170058	Reflector Washer, 1.75"OD x 3/16"ID ZPS	143020
Black, Standard w/3 Open Mouse Holes	170207	Snap Lock Set, 1 Snap, 1 Pin	144017
Black, 6" Flared	170129	Snap Lock Unlocking Tool	144022
Black, 18" One-Piece w/2 Open Mouse Holes	194101	Screw for Locator Washer	143004
White, 18" One-Piece w/2 Open Mouse Holes	194102	8" Hinge Pin (to go with #172002 & 172114)	144004
		Cast Iron Reader Lid Only	172002
		Plastic Flip Lid, Latch & Screw	172114
		(Plastic Flip Lid Assembly w/Lock)	

SUPERFLEXON BOXES AND COVERS

SUPERFLEXON is a plastic material made of a rigid combination of polyolefin and fibrous inorganic components. It is chemically inert and normally unaffected by moisture, corrosion and the effects of temperature changes. SUPERFLEXON also has a high tensile strength with light weight because it is a solid (not foamed) structural material.

SUPERFLEXON covers are NOT traffic covers and should not be used in roadways, etc.

Physical Properties	ASTM Test Method	Minimum Test Value
Tensile Strength (2.0"/min.)	D-638-82a	3,400 psi
Flexural Modulus	D-790-81	191,000 psi
Compressive Strength (0.05"/min.)	D-695-80	3,350 psi
Impact Strength, Izod	D-256-81	0.6 ft. lb/in.
Durometer Hardness, Type D	D-2240-81	60
Deflection Temp. @ 66 psi Stress	D-648-82	230°F
Specific Gravity	D-792-66 (1979)	1.15



HIGHLINE

PRODUCTS

131 Hartwell Avenue, Lexington, MA 02421, USA
 Phone: 888.773.2776 • Fax: 781.861.0675
 E-mail: info@highlineproducts.com
www.highlineaccessboxes.com • www.highlineproducts.com