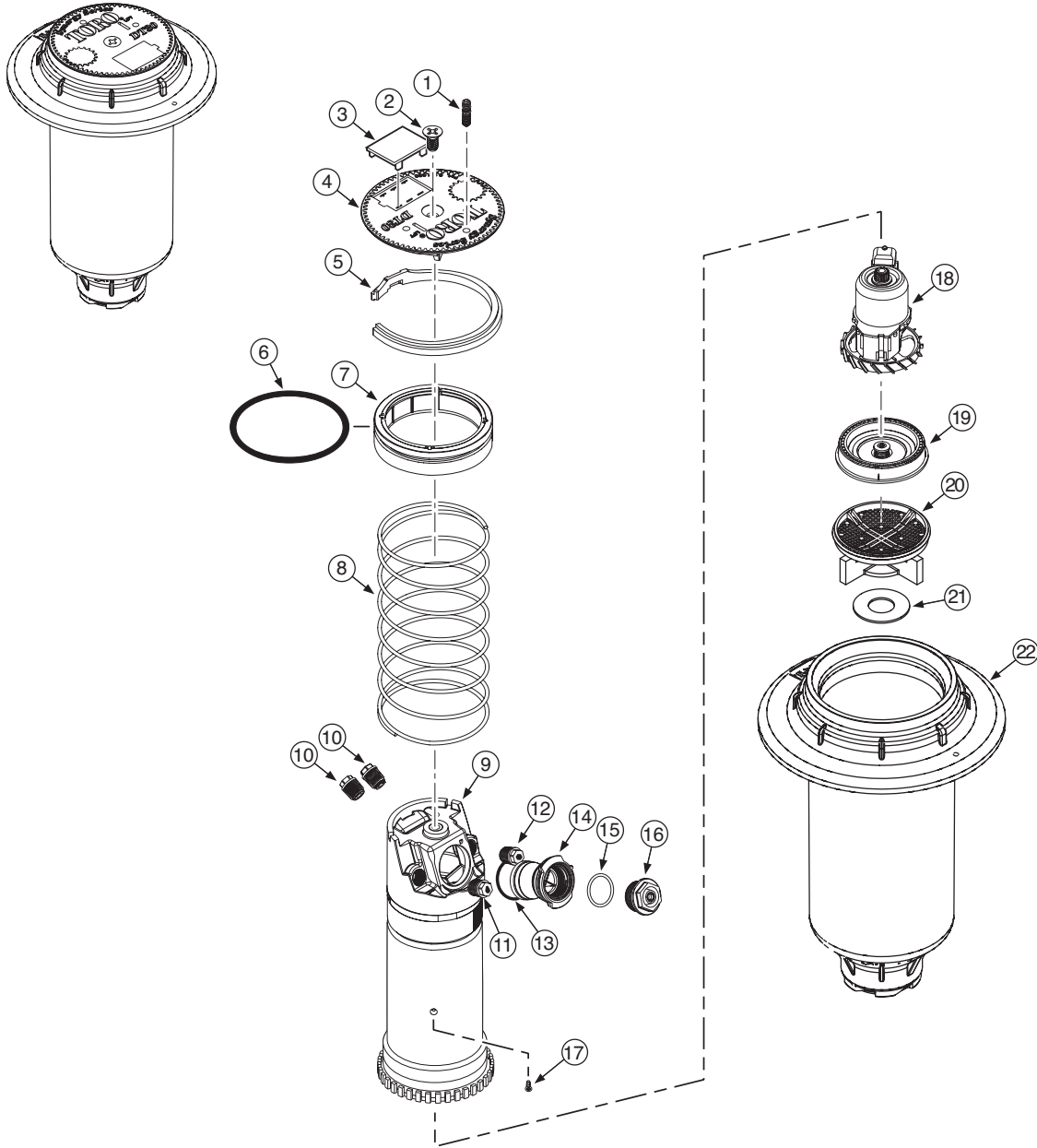


DT35B Series Sprinkler



Model Number Information

<div style="display: flex; justify-content: space-around; align-items: center;"> DT35B X 2 XXXX X </div>					
<i>Body Inlet</i>	<i>Arc</i>	<i>Body Threads</i>	<i>Valve Type</i>	<i>Nozzles</i>	<i>Optional</i>
3—1"	5—Full and Part circle	0—NPT 4—ACME 5—BSP	2—Check-O-Matic	3134 3538	E—Effluent

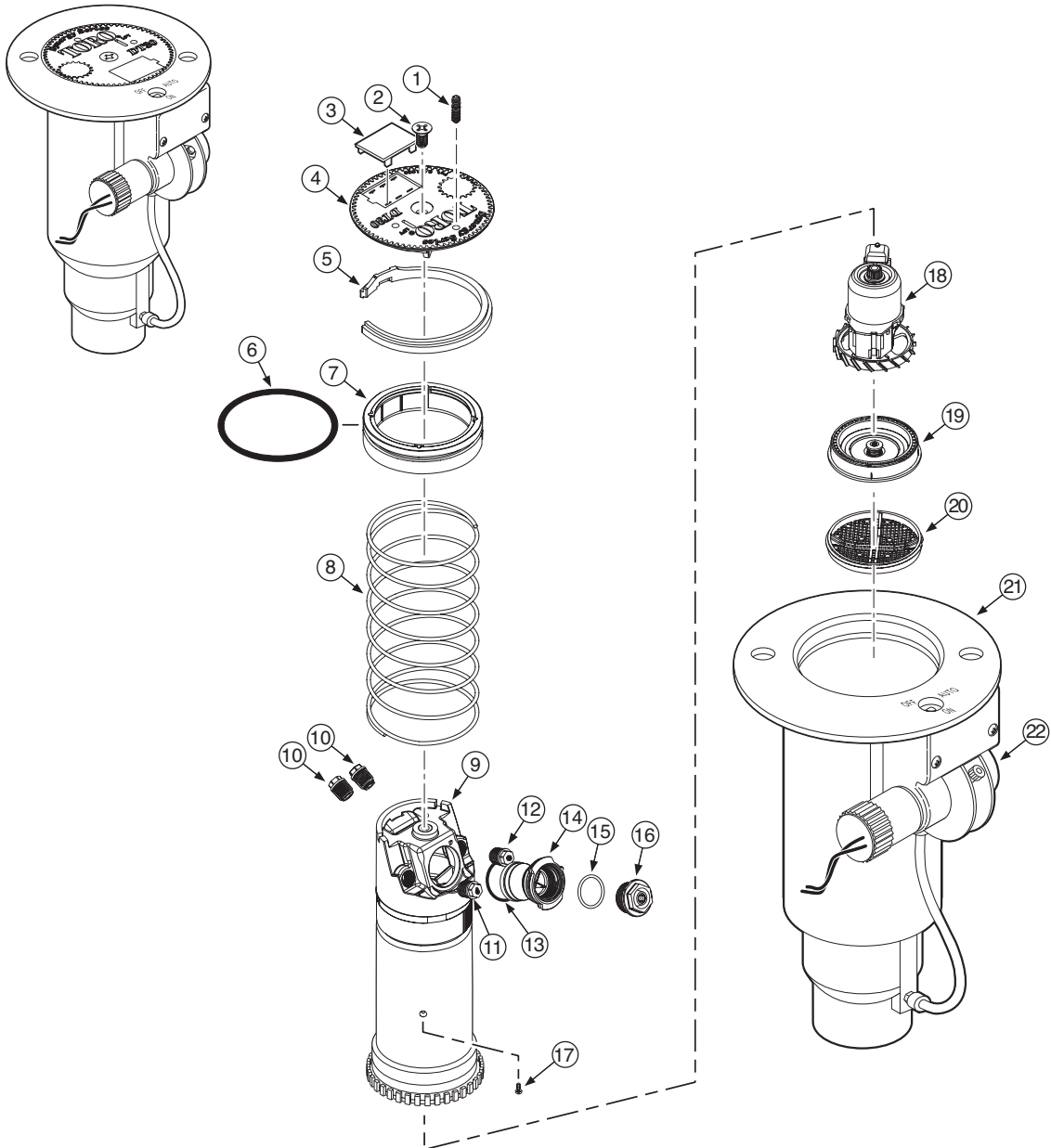
For Example:
When specifying a DT35B Series Sprinkler with ACME threads, #34 nozzle,
you would specify:

DT35B-42-3134

Note: For detailed model number availability and ordering information, refer to the Golf Finished Goods Price List (form no. 490-2844).

Item No.	Part No.	Description	Quantity Per Assy.
1	363-4839	Radius Reduction Screw	1
2	102-6138	Screw, Cap, Black	1
3	89-1589	Plug, Cap	1
4	102-4752	Cap, DT35	1
4	102-5588	Cap, DT35, Effluent	1
5	89-4702	Snap Ring, Riser	1
6	363-4102	O-Ring, Body	1
7	102-0134	Retainer, Seal	1
8	102-0151	Spring, Return	1
9	102-5730	Riser Assembly	1
10	102-4335	Nozzle Plug	2
11	102-5670	Nozzle Assy. Inner, Yellow w/ White Helical Restrictor (Used w/ #0-#5 Mains)	1
11	102-6531	Nozzle Assy., Inner, Green w/ White Helical Restrictor (Used w/ #6, #7 & #8 Mains)	1
12	102-6942	Intermediate Nozzle Assy., Beige w/ Stream Straightener (Used w/ #0 Main)	1
12	102-5671	Intermediate Nozzle Assy., Brown w/ Stream Straightener (Used w/ #1 Main)	1
12	102-6884	Intermediate Nozzle, Yellow (Used w/ #2-#4 Mains)	1
12	102-6885	Intermediate Nozzle, Green (Used w/ #5-#8 Mains)	1
13	102-5978	O-Ring, Nozzle Housing	1
14	102-5597	Nozzle Housing Assy. (Includes Item 13)	1
15	363-4104	O-Ring, Main Nozzle	1
16	102-2208	Nozzle, Main, #0, Blank (White)	1
16	102-6906	Nozzle, Main, #1 (Yellow)	1
16	102-0726	Nozzle, Main, #2 (Blue)	1
16	102-6907	Nozzle, Main, #3 (Brown)	1
16	102-0728	Nozzle, Main, #4 (Orange)	1
16	102-6955	Nozzle, Main, #5 (Green)	1
16	102-6935	Nozzle, Main, #6 (Gray)	1
16	102-6936	Nozzle, Main, #7 (Black)	1
16	102-4260	Nozzle, Main, #8 (Red)	1
17	363-4236	Screw, Drive	1
18	102-4504	Drive Assembly, 12-Pack	1
19	102-6929	Stator Assembly, Low Flow, High Velocity, Blue (Used with #0 Main Nozzle)	1
19	102-1939	Stator Assembly, Low Flow, Yellow (Used with #1-#4 Main Nozzles)	1
19	102-1940	Stator Assembly, Medium Flow, White (Used with #5-#8 Main Nozzles)	1
20	102-5152	Screen, Riser, w/ Check Seal Holder	1
21	102-7437	Seal, Check	1
22	102-7419	Body, NPT	1
22	102-7420	Body, BSP	1
22	102-7421	Body, ACME	1
		SERVICE ITEMS	
	102-5672	Cap, Blank	
	102-5673	Cap, Blank, Effluent	
	89-4735	Yardage Marker, Yellow (10 Sheets per Pak)	
		SERVICE TOOLS	
	995-99	Nut Driver, 5/8" (For Main Nozzle)	
	995-105	Nut Driver, 5/16" (For Inner & Intermediate Nozzles and Plugs)	
	995-83	Multi-purpose Tool	
	995-85	Riser Removal Tool	
	995-102	Riser Hold-up Tool, Universal	

DT35 Series Sprinkler



Model Number Information

DT35						
Body Inlet	Arc	Body Threads	Valve Type	Nozzle	Pressure Regulation*	Optional
3—1"	5—Full and Part circle	0—NPT 4—ACME 5—BSP	1—NO Hydraulic 2—Check-O-Matic 6—Electric	30 31 32 33 34 35 36 37	6—65 psi (4,5 Bar) 8—80 psi (5,5 Bar) 1—100 psi (6,9 Bar)	E—Effluent DL—Decoder N—Ni Plated Sol.

For Example:
When specifying a DT35 Series Sprinkler with ACME threads, #34 nozzle, an electric valve and pressure regulation at 65 psi (4,5 Bar), you would specify:

DT35-46-346

Note: For detailed model number availability and ordering information, refer to the Golf Finished Goods Price List (form no. 490-2844).

* Pressure Regulation available on Electric VIH models only.

Item No.	Part No.	Description	Quantity Per Assy.
1	363-4839	Radius Reduction Screw	1
2	102-6138	Screw, Cap, Black	1
3	89-1589	Plug, Cap	1
4	102-4752	Cap, DT35	1
4	102-5588	Cap, DT35, Effluent	1
5	89-4702	Snap Ring, Riser	1
6	363-4102	O-Ring, Body	1
7	102-0134	Retainer, Seal	1
8	102-0151	Spring, Return	1
9	102-5730	Riser Assembly	1
10	102-4335	Nozzle Plug	2
11	102-5670	Nozzle Assy. Inner, Yellow w/ White Helical Restrictor (Used w/ #0-#5 Mains)	1
11	102-6531	Nozzle Assy., Inner, Green w/ White Helical Restrictor (Used w/ #6 & #7 Mains)	1
12	102-6942	Intermediate Nozzle Assy., Beige w/ Stream Straightener (Used w/ #0 Main)	1
12	102-5671	Intermediate Nozzle Assy., Brown w/ Stream Straightener (Used w/ #1 Main)	1
12	102-6884	Intermediate Nozzle, Yellow (Used w/ #2-#4 Mains)	1
12	102-6885	Intermediate Nozzle, Green (Used w/ #5-#7 Mains)	1
13	102-5978	O-Ring, Nozzle Housing	1
14	102-5597	Nozzle Housing Assy. (Includes Item 13)	1
15	363-4104	O-Ring, Main Nozzle	1
16	102-2208	Nozzle, Main, #0, Blank (White)	1
16	102-6906	Nozzle, Main, #1 (Yellow)	1
16	102-0726	Nozzle, Main, #2 (Blue)	1
16	102-6907	Nozzle, Main, #3 (Brown)	1
16	102-0728	Nozzle, Main, #4 (Orange)	1
16	102-6955	Nozzle, Main, #5 (Green)	1
16	102-6935	Nozzle, Main, #6 (Gray)	1
16	102-6936	Nozzle, Main, #7 (Black)	1
17	363-4236	Screw, Drive	1
18	102-4504	Drive Assembly, 12-Pack	1
19	102-6929	Stator Assembly, Low Flow, High Velocity, Blue (Used with #0 Main Nozzle)	1
19	102-1939	Stator Assembly, Low Flow, Yellow (Used with #1-#4 Main Nozzles)	1
19	102-1940	Stator Assembly, Medium Flow, White (Used with #5-#7 Main Nozzles)	1
20	102-1715	Screen, Riser	1
21	-----	Body Assembly (See p. 102)	1
22	-----	Pilot Valve Assembly (See Pilot Valve Parts Breakout, p. 109)	1
		SERVICE ITEMS	
	102-5672	Cap, Blank	
	102-5673	Cap, Blank, Effluent	
	89-4735	Yardage Marker, Yellow (10 Sheets per Pak)	
	*DT35-3134	Conversion, Part and Full Circle, w/ #31, #32, #33 & #34 Nozzles	
	*DT35-3134E	Conversion, Part and Full Circle, w/ #31-#34 Nozzles and Effluent (Lavender) Cap	
	*DT35-3537	Conversion, Part and Full Circle, w/ #35, #36 & #37 Nozzles	
	*DT35-3537E	Conversion, Part and Full Circle, w/ #35-37 Nozzles and Effluent (Lavender) Cap	
		SERVICE TOOLS	
	995-08	Valve Removal Tool	
	995-76	Valve Insertion Tool	
	995-15	Selector Tool (Flag Key)	
	995-99	Nut Driver, 5/8" (For Main Nozzle)	
	995-105	Nut Driver, 5/16" (For Inner & Intermediate Nozzles and Plugs)	
	995-83	Multi-purpose Tool	
	995-85	Riser Removal Tool	
	995-100	Valve Snap Ring Pliers with Screen Remover	
	995-102	Riser Hold-up Tool, Universal	
		* Order Through Finished Goods Distribution System-Minneapolis	