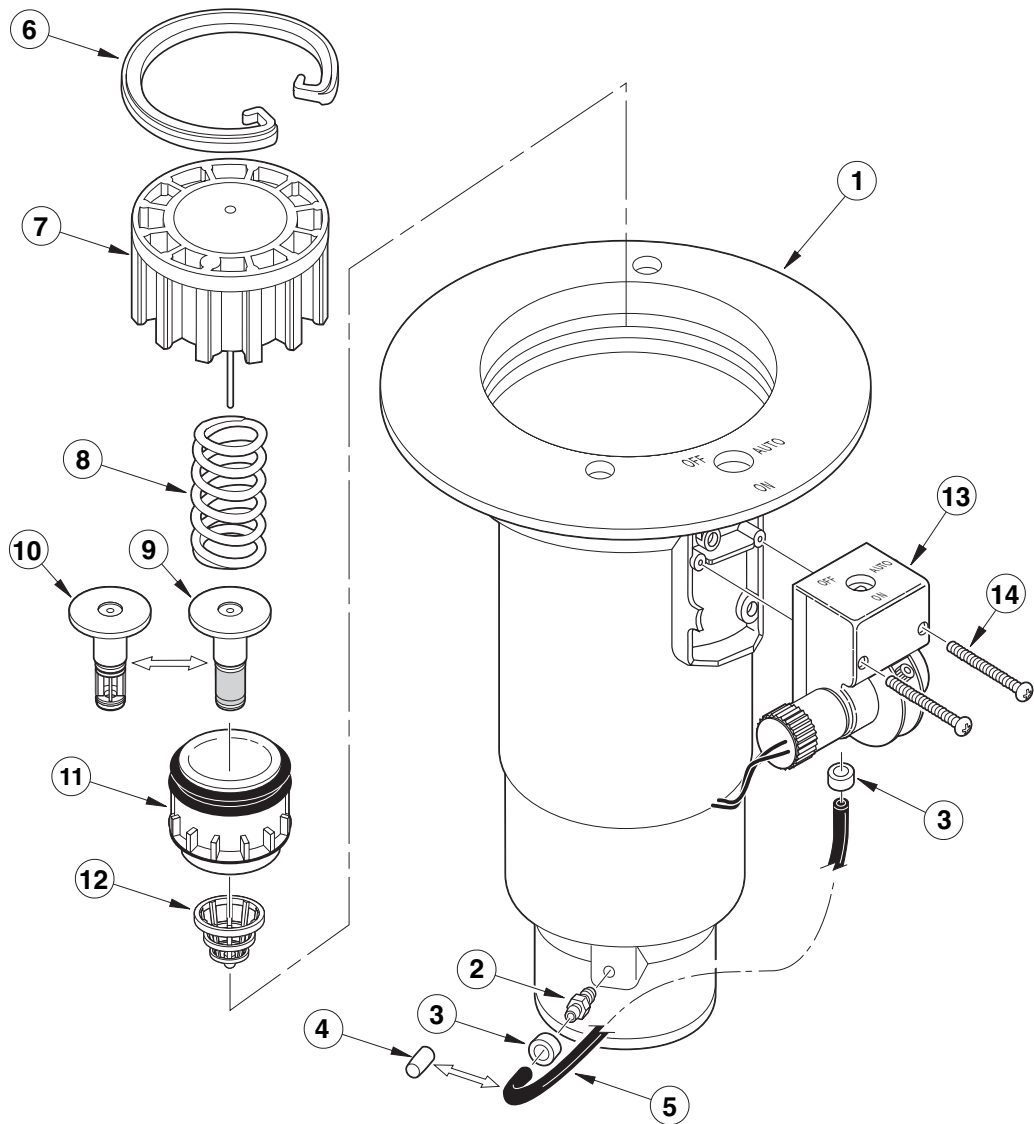


Golf Sprinkler Body — 1.5 Inch — 800S & DT Series



Item No.	Part No.	Description	Quantity Per Assy.
		1.5 INCH NPT BODY STYLE	
1	102-1149	Electric w/o VIH (Includes Items 1–2)	1
1	102-1143	Hydraulic NO w/o VIH (Includes Items 1–2)	1
1	102-1137	COM w/o VIH (Includes Items 1–3 & 5)	1
		1.5 INCH BSP BODY STYLE	
1	102-1151	Electric w/o VIH (Includes Items 1–2)	1
1	102-1139	COM w/o VIH (Includes Items 1–3 & 5)	1
1	102-1145	Hydraulic NO w/o VIH (Includes Items 1–2)	1
		1.5 INCH ACME BODY STYLE	
1	102-1153	Electric w/o VIH (Includes Items 1–2)	1
1	102-1141	COM w/o VIH (Includes Items 1–3 & 5)	1
1	102-1147	Hydraulic NO w/o VIH (Includes Items 1–2)	1

Item No.	Part No.	Description	Quantity Per Assy.
2	9-6002	Adapter, Tubing, Threaded, 1/4"	1
3	*900-40	Retainer, Tube	1 or 2
4	89-8157	Cap, Poly	1
5	9-2623	Tubing, Poly, 1/4" x 8", EL	1
5	9-2624	Tubing, Poly, 1/4" x 14", COM	1
6	3-3304	Snap Ring, Valve	1
7	102-0626	Cylinder Assy., EL & NO/COM	1
8	3-3323	Spring, Valve, EL/NO, Silver	1
8	3-3311	Spring, Valve, COM, Black	1
9	35-9645	Filter Assy., Metering, EL & NC	1
10	102-6530	Filter Assy., Non-Metering, NO/COM	1
11	102-6311	Piston Assy., COM & NO (Includes Item 10)	1
11	102-5101	Piston Assy., EL (Includes Item 9)	1
12	102-0785	Rock Screen, 1.5"	1
13	-----	Pilot Valve Assy. (See p. 109)	1
14	3-2696	Screw, Tap #8	2
		SERVICE ITEMS	
	102-6310	Valve Assy., NO (Includes Items 7, 8, 10 & 11)	
	102-6309	Valve Assy., COM (Includes Items 7, 8, 10 & 11)	
	102-4003	Valve Assy., EL (Includes Items 7–9 & 11)	
		* Order Through Finished Goods Distribution System—Minneapolis	