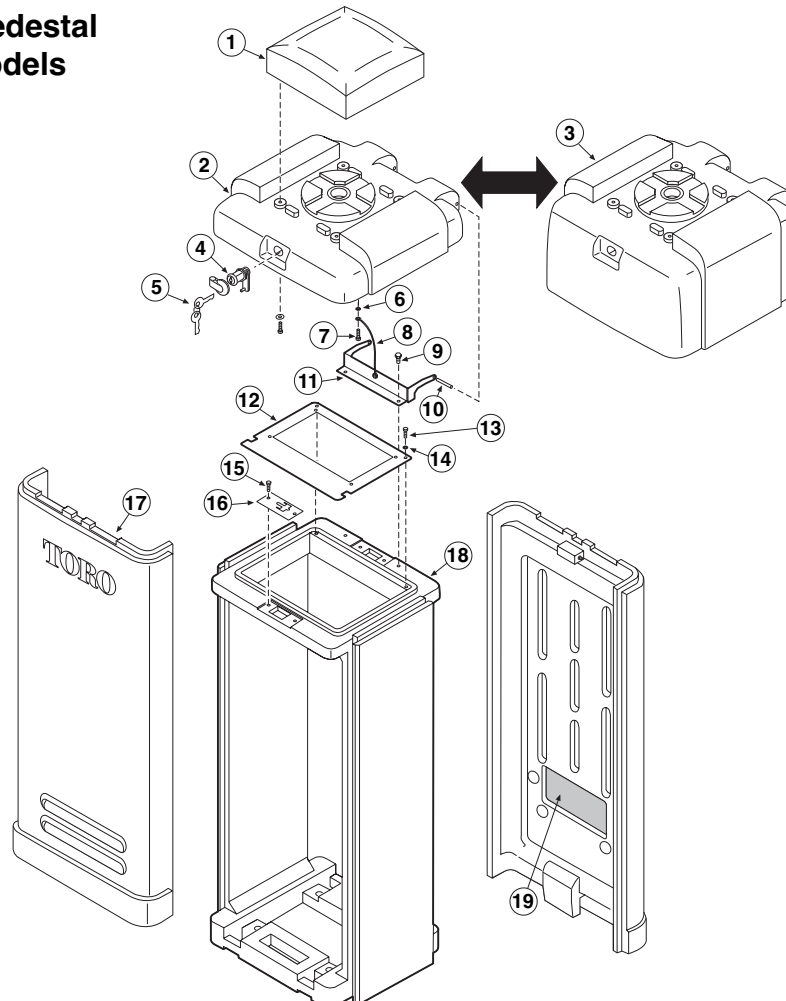


## Plastic Satellite Pedestal 2006 and Later Models



Item No.	Part No.	Description	Quantity Per Assy.
1	-----	Cap, Vent	1
2	102-6147	Cover, Plastic, Enhanced	1
3	-----	Cover, Plastic, Enhanced, RDR	1
4	-----	Lock Assy. (See Service Item 89-8346)	1
5	360-0565	Keys, Lock (See Service Item 360-0565)	1
6	-----	Washer, Flat	2
7	363-3438	Screw, machine, #10-32 x 3/4", SST	1
8	102-3086	Cable, Restraining	1
9	360-0595	Screw, Machine, 1/4-20 x 1/2", SST	2
10	363-5334	Screw, #10-32 x 3/4", SST	2
11	-----	Hinge, Cover	1
12	102-0664	Plate, Face	1
13	363-3541	Screw, Trim, #6	2
14	363-3542	Washer, Finish, #6	2
15	363-3707	Screw, #10-32 x 3/4", SST	2
16	102-6155	Plate, Locking	1
17	102-6146	Door, Plastic Pedestal, Enhanced	2
18	102-4775	Base, Plastic Pedestal, Enhanced	1
19	-----	Air Filter, Foam	2
		<b>SERVICE ITEMS</b>	
	102-6144SK	Kit, Service, Pedestal, Complete	
	102-4775SK	Kit, Service, Base, Pedestal (Includes Items 15, 16 & 18)	
	102-6146SK	Kit, Service, Door, Pedestal (Includes Items 17 & 19)	
	102-6147SK	Kit, Service, Cover, Pedestal, Short (Includes Items 1-11)	
	102-4778SK	Kit, Service, Cover, Vent (Includes Item 1)	
	89-8346	Kit, Service, Lock (Includes Item 4, 5 & Lock Cover)	