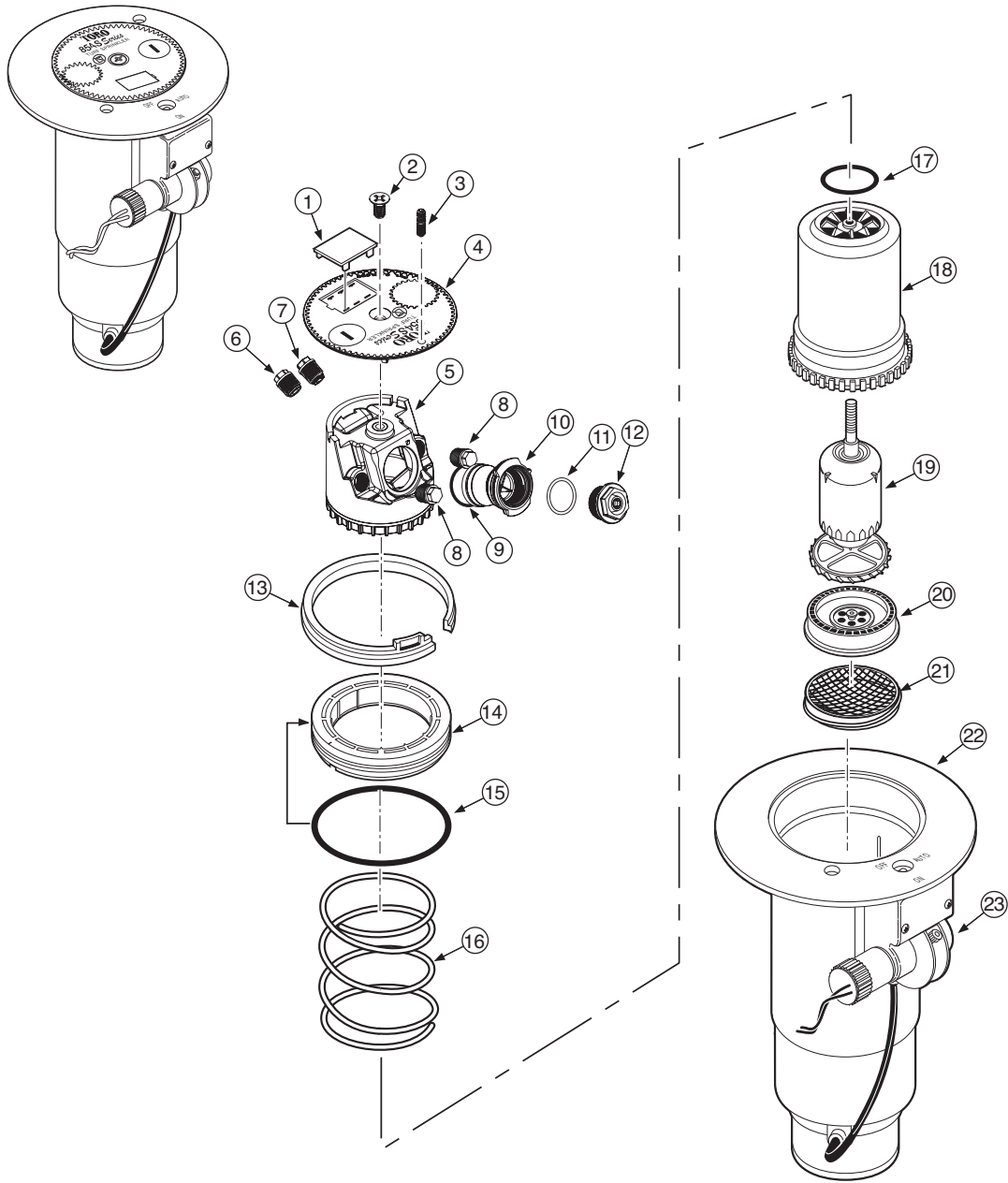


854S Series Sprinkler – August 2007–Present



Model Number Information

Body Inlet	Arc	Body Threads	Valve Type	Nozzle	Pressure Regulation*	Optional
5—1½"	4—Full-circle	0—NPT 4—ACME 5—BSP	1—NO Hydraulic 2—Check-O-Matic 6—Electric	51 52 53 54 55 56 57 58 59	6—65 psi (4,5 Bar) 8—80 psi (5,5 Bar) 1—100 psi (6,9 Bar)	E—Effluent DL—Decoder N—Ni Plated Sol.

For Example:
When specifying a 854S Series Sprinkler with ACME threads, #54 nozzle,
an electric valve and pressure regulation at 65 psi (4,5 Bar), you would specify:

854S-46-546

Note: For detailed model number availability and ordering information, refer to the Golf Finished Goods Price List (form no. 490-2844).

* Pressure Regulation available on Electric VIH models only.

Item No.	Part No.	Description	Quantity Per Assy.
1	89-1589	Plug, Cap	1
2	102-0362	Screw, Cap	1
3	363-4839	Radius Reduction Screw	1
4	102-5587	Cap, 854S	1
4	102-5591	Cap, 854S, Effluent	1
5	102-5837	Nozzle Base Assembly	1
6	102-2925	Intermediate Nozzle, Blue (Used w/ #1 Main)	1
6	102-2926	Intermediate Nozzle, Orange (Used w/ #2 Main)	1
6	102-2928	Intermediate Nozzle, Red (Used w/ #3 Main)	1
6	102-2929	Intermediate Nozzle, Beige (Used w/ #4–5 Mains)	1
6	102-6944	Intermediate Nozzle Assy., Red w/ Stream Straightener (Used w/ #6 Main)	1
6	102-6945	Intermediate Nozzle Assy., Gray w/ Stream Straightener (Used w/ #7–9 Mains)	1
6	102-6883	Intermediate Nozzle, Brown (Used w/ #7 & #8 mains, front position, right of main)	1
7	102-6937	Nozzle Assy. Inner, Yellow Nozzle w/ Yellow Helical Restrictor	1
8	102-4335	Nozzle Plug	2
9	102-5978	O-ring, Nozzle Housing	1
10	102-5597	Nozzle Housing Assy. (Includes Item 9)	1
11	363-4104	O-Ring, Main Nozzle	1
12	102-0725	Nozzle, Main, #1 (Yellow)	1
12	102-7001	Nozzle, Main, #2 (Blue)	1
12	102-0727	Nozzle, Main, #3 (Brown)	1
12	102-7002	Nozzle, Main, #4 (Orange)	1
12	102-6908	Nozzle, Main, #5 (Green)	1
12	102-0730	Nozzle, Main, #6 (Gray)	1
12	102-4261	Nozzle, Main, #7 (Black)	1
12	102-4260	Nozzle, Main, #8 (Red)	1
12	102-4259	Nozzle, Main, #9 (Beige)	1
13	35-6119	Snap Ring, Riser	1
14	102-0136	Retainer, Seal	1
15	363-4103	O-Ring, Body	1
16	102-0151	Spring, Return	1
17	363-4167	O-Ring, Nozzle Base	1
18	102-0203	Riser	1
19	102-4503	Drive Assembly, 12-Pack	1
20	102-6929	Stator Assembly, Low Flow, High Velocity, Blue (Used with #1–#4 Main Nozzles)	1
20	102-1940	Stator Assembly, Medium Flow, White (Used with #5–#8 Main Nozzles)	1
20	102-1941	Stator Assembly, High-Flow, White (Used with #9 Main Nozzles)	1
21	102-1715	Screen, Riser	1
22	-----	Body Assembly (See p. 106)	1
23	-----	Pilot Valve Assembly (See p. 109)	1
		SERVICE ITEMS	
	102-5674	Cap, Blank	
	102-5675	Cap, Blank, Effluent	
	102-0950	Adapter, Conversion 600/700 1.5" Bodies	
	*102-5011	Adapter, Conversion, 690	
	89-4735	Yardage Marker, Yellow (10 Sheets per pak)	
	*854S-5154	Conversion, Full Circle, w/ #51, #52, #53 & #54 Nozzles	
	*854S-5154E	Conversion, Full Circle, w/ #51, #52, #53 & #54 Nozzles and Effluent (Lavender) Cap	
	*854S-5558	Conversion, Full Circle, w/ #55, #56, #57 & #58 Nozzles	
	*854S-5558E	Conversion, Full Circle, w/ #55, #56, #57 & #58 Nozzles and Effluent (Lavender) Cap	
	*854S-59	Conversion, Full Circle, w/ #59 Nozzle	
	*854S-59E	Conversion, Full Circle, w/ #59 Nozzle and Effluent (Lavender) Cap	
		SERVICE TOOLS	
	995-09	Valve Removal Tool	
	995-101	Valve Insertion Tool	
	995-15	Selector Tool (Flag Key)	
	995-99	Nut Driver, 5/8" (For Main Nozzle)	
	995-105	Nut Driver, 5/16" (For Inner & Intermediate Nozzles and Plugs)	
	995-83	Multi-purpose Tool	
	995-85	Riser Removal Tool	
	995-100	Valve Snap Ring Pliers with Screen Remover	
	995-102	Riser Hold-up Tool, Universal	
		* Order Through Finished Goods Distribution System–Minneapolis	