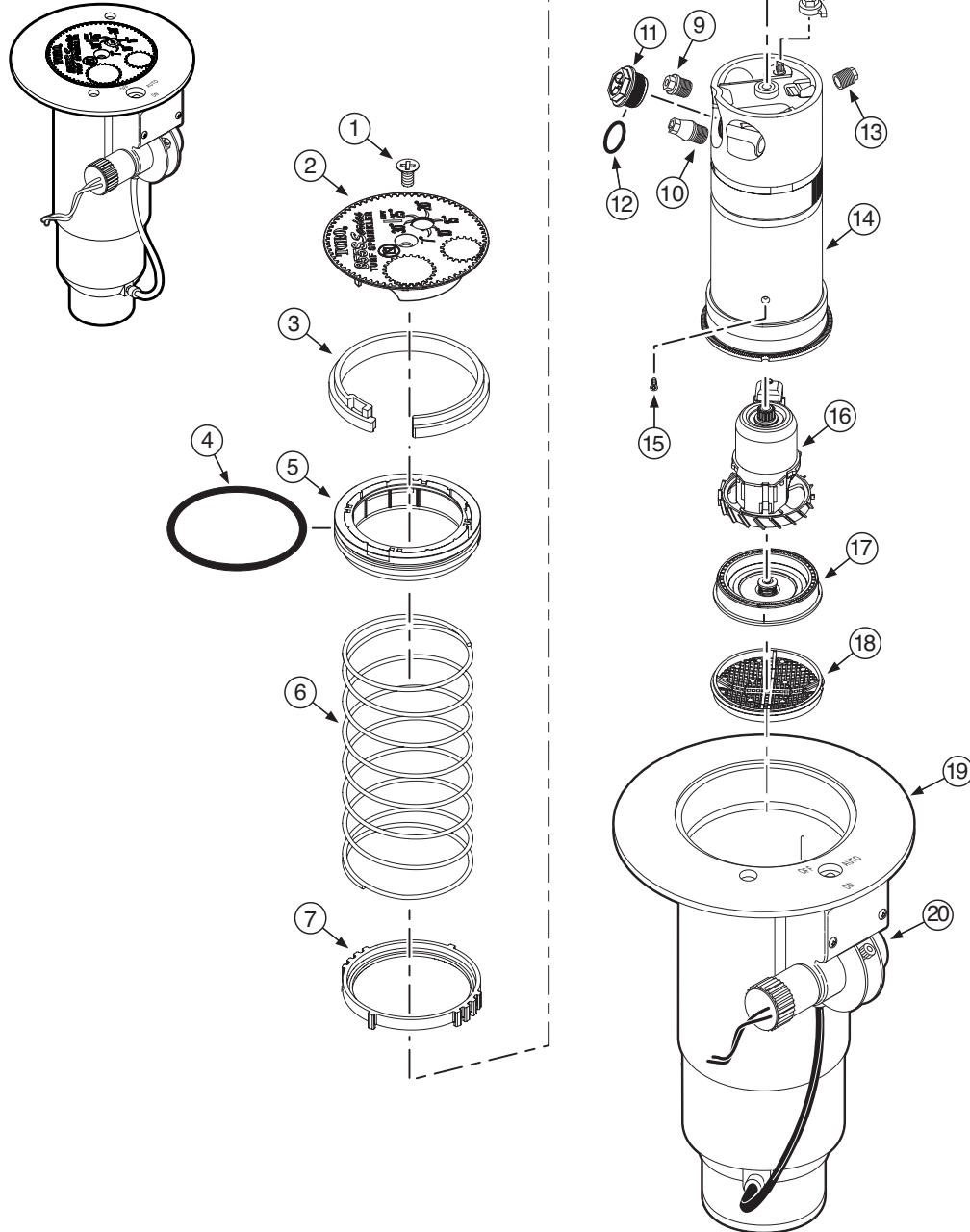


855S Series Sprinkler



Model Number Information

835S-XX-3XX-E

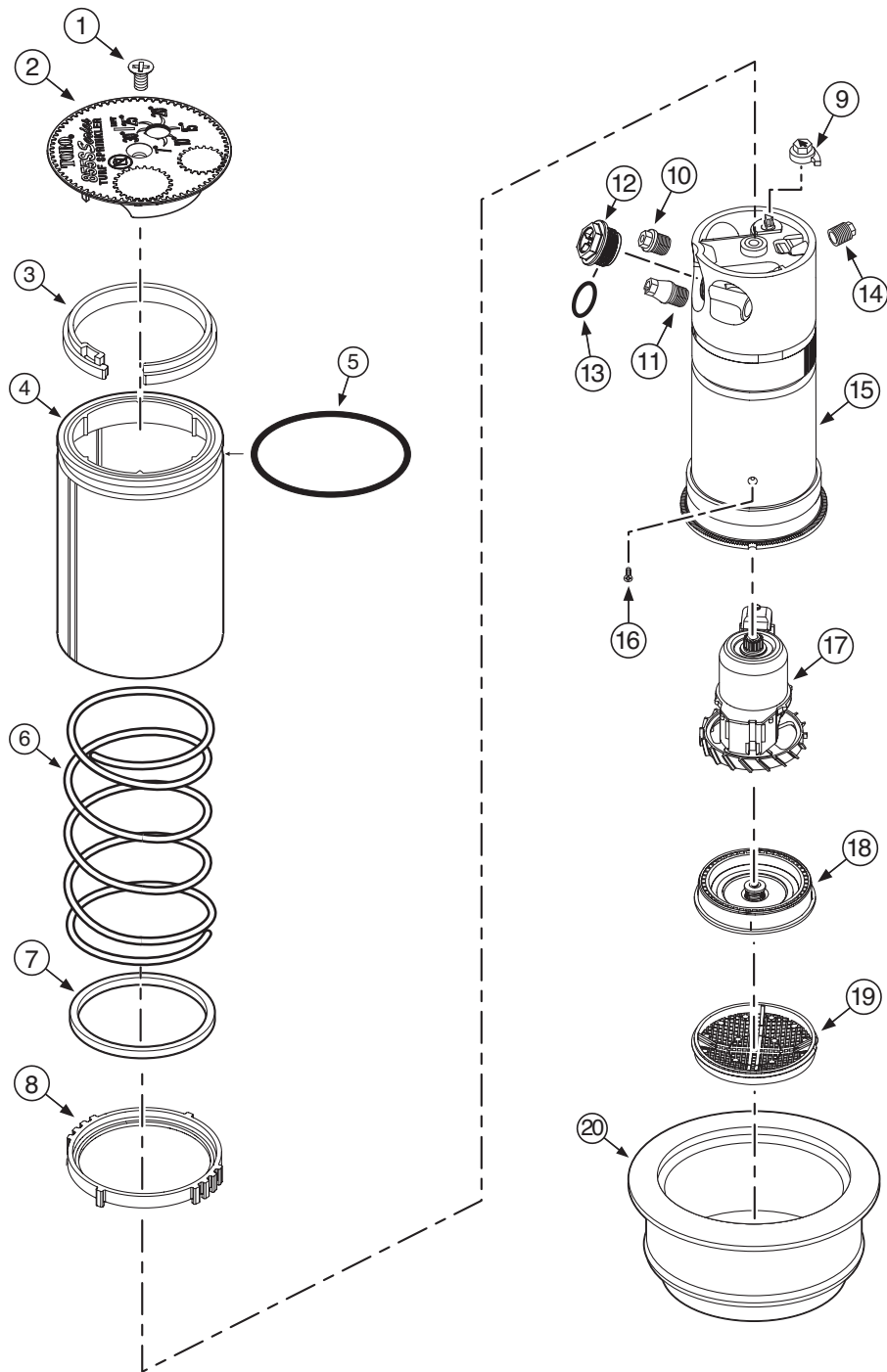
Arc	Body Threads	Valve	Nozzle	Pressure Regulation*	E = Effluent DL = Decoder N = Nickel Plated
5 = Adj. Part Circle/Full Circle	0 = NPT 4 = ACME 5 = BSP	1 = NO Valve-In-Head 2 = Check-O-Matic 6 = Electric Valve-In-Head	1 (Yellow) 2 (Blue) 3 (Brown) 4 (Orange) 5 (Green) 6 (Gray) 7 (Black) 8 (Red) 9 (Beige)	5 = 50 PSI 6 = 65 PSI 8 = 80 PSI 1 = 100 PS	

* Pressure Regulation available on Electric VIH models only.

Note: For detailed model number availability and ordering information, refer to the Golf Finished Goods Price List (form no. 490-2844).

Item No.	Part No.	Description	Quantity Per Assy.
1	102-6138	Screw, Cap, Black	1
2	102-2296	Cap, 855S	1
2	102-2496	Cap, Effluent, 855S	1
3	35-6119	Snap Ring, 1.5"	1
4	363-4103	O-Ring, 1.5"	1
5	102-0136	Retainer Seal, 1.5"	1
6	102-0151	Spring	1
7	102-4967	Ratchet Ring, 1.5"	1
8	102-5971	Trajectory Adjuster	1
9	102-2925	Intermediate Nozzle, Blue (Use with #1, #5, #6, #8 & #9 Main Nozzles)	1
9	102-2926	Intermediate Nozzle, Orange (Use with #3, #4 & #7 Main Nozzles)	1
9	102-2928	Intermediate Nozzle, Red (Use with #2 Main Nozzle)	1
10	102-2910	Nozzle Assy., Inner	1
11	102-4587	Nozzle, Main, #1, Yellow	1
11	102-4588	Nozzle, Main, #2, Blue	1
11	102-4589	Nozzle, Main, #3, Brown	1
11	102-0728	Nozzle, Main, #4, Orange	1
11	102-0729	Nozzle, Main, #5, Green	1
11	102-0730	Nozzle, Main, #6, Gray	1
11	102-4261	Nozzle, Main, #7, Black	1
11	102-4260	Nozzle, Main, #8, Red	1
11	102-4259	Nozzle, Main, #9, Beige	1
12	363-4104	O-Ring, Main Nozzle	1
13	102-4335	Plug, Nozzle, Back	1
14	102-2892	Riser Assy.	1
15	363-4236	Screw, Drive	1
16	102-4504	Drive Assy., 12-Pack	1
17	102-1939	Stator, Low (Use with Main Nozzles 1-4)	1
17	102-1940	Stator, Medium (Use with Main Nozzles 5-8)	1
17	102-1941	Stator, High (Use with Main Nozzle 9)	1
18	102-1715	Screen	1
19	-----	Body Assembly (See p. 106)	1
20	-----	Pilot Valve Assembly (See p. 109)	1
		SERVICE ITEMS	
	102-4337	Stream Straightener, Intermediate Nozzle	
	102-2041	Restrictor, Yellow, Inner Nozzle	
	102-2497	Cap, Blank, 855S	
	102-2498	Cap, Blank, Effluent, 855S	
	102-0950	Adapter, Conversion	
	89-4735	Yardage Markers, Yellow (10 Sheets per Pack)	
	855S-5154	Conversion Assembly, 855S w/ #51, 52, 53, 54 Nozzles	
	855S-5154E	Conversion Assembly, 855S w/ #51, 52, 53, 54 Nozzles, Effluent	
	855S-5558	Conversion Assembly, 855S w/ #55, 56, 57, 58 Nozzles	
	855S-5558E	Conversion Assembly, 855S w/ #55, 56, 57, 58 Nozzles, Effluent	
	855S-59	Conversion Assembly, 855S w/ #59	
	855S-59E	Conversion Assembly, 855S w/ #59, Effluent	
		SERVICE TOOLS	
	995-09	Valve Removal Tool	
	995-101	Valve Insertion Tool	
	995-15	Selector Tool (Flag Key)	
	995-99	Nut Driver, 5/8" (For Main Nozzle)	
	995-105	Nut Driver, 5/16" (For Inner, Intermediate & Back Nozzles)	
	995-83	Multi-purpose Tool	
	995-85	Riser Removal Tool	
	995-100	Valve Snap Ring Pliers with Screen Remover	
	995-102	Riser Hold-up Tool, Universal	
		* Order Through Finished Goods Distribution System—Minneapolis	

855S Series Ribless Body, Conversion Assembly



Item No.	Part No.	Nomenclature	Quantity Per Assy.
1	102-6138	Screw, Cap, Black	1
2	102-2296	Cap, 855S	1
2	102-2496	Cap, Effluent, 855S	1
3	35-6119	Snap Ring, 1.5"	1
4	89-7568	Sleeve, Retainer, O-Ring	1
5	363-4103	O-Ring	1
6	102-0151	Spring, Return	1
7	89-7569	Seal, Riser	1
8	102-2619	Ratchet Ring, 1.0"	1
9	102-5971	Hex, Trajectory Adjuster	1
10	102-2925	Intermediate Nozzle, Blue (Use with #1, #5, #6, #8 & #9 Main Nozzles)	1
10	102-2926	Intermediate Nozzle, Orange (Use with #3, #4 & #7 Main Nozzles)	1
10	102-2928	Intermediate Nozzle, Red (Use with #2 Main Nozzle)	1
11	102-2910	Nozzle Assy., Inner	1
12	102-4587	Nozzle, Main, #1, Yellow	1
12	102-4588	Nozzle, Main, #2, Blue	1
12	102-4589	Nozzle, Main, #3, Brown	1
12	102-0728	Nozzle, Main, #4, Orange	1
12	102-0729	Nozzle, Main, #5, Gree	1
12	102-0730	Nozzle, Main, #6, Gray	1
12	102-4261	Nozzle, Main, #7, Black	1
12	102-4260	Nozzle, Main, #8, Red	1
12	102-4259	Nozzle, Main, #9, Beige	1
13	363-4104	O-Ring, Main Nozzle	1
14	102-4335	Plug, Nozzle, Back	1
15	102-2892	Riser Assy.	1
16	363-4236	Screw, Drive	1
17	102-4504	Drive Assy., 12-Pack	1
18	102-1939	Stator, Low (Use with Main Nozzles 1-4)	1
18	102-1940	Stator, Medium (Use with Main Nozzles 5-8)	1
18	102-1941	Stator, High (Use with Main Nozzle 9)	1
19	102-1715	Screen	1
20	102-0950	Adapter, Conversion	1
		SERVICE ITEMS	
	102-4337	Stream Straightener, Intermediate Nozzle	
	102-2041	Restrictor, Yellow, Inner Nozzle	
	102-2497	Cap, Blank, 855S	
	102-2498	Cap, Blank, Effluent, 855S	
		SERVICE TOOLS	
	995-09	Valve Removal Tool	
	995-101	Valve Insertion Tool	
	995-15	Selector Tool (Flag Key)	
	995-99	Nut Driver, 5/8" (For Main Nozzle)	
	995-105	Nut Driver, 5/16" (For Inner & Intermediate Nozzles)	
	995-83	Multi-purpose Tool	
	995-85	Riser Removal Tool	
	995-100	Valve Snap Ring Pliers with Screen Remover	
	995-102	Riser Hold-up Tool, Universal	