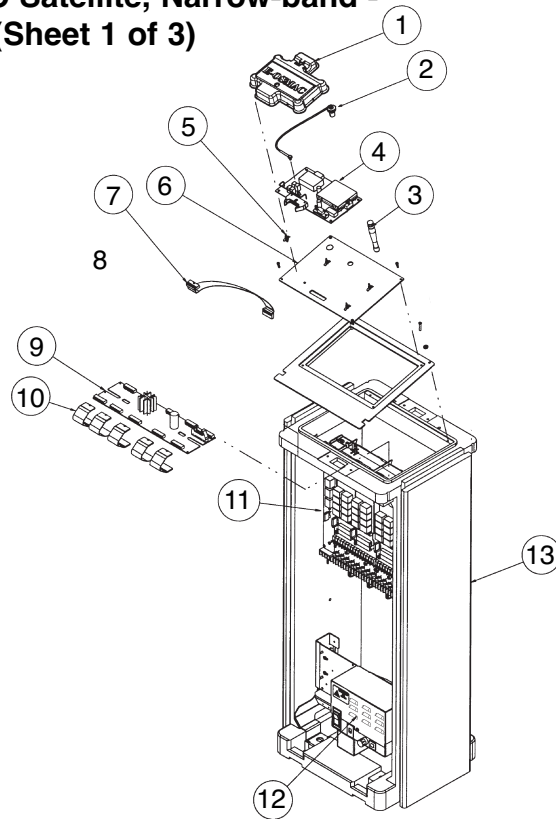


## E-Series OSMAC Satellite, Narrow-band - Plastic Cabinet (Sheet 1 of 3)



| Item No. | Part No.  | Description   | Quantity Per Assy. |
|----------|-----------|---|--------------------|
| 1        | 102-2624  | Cover, Decoder PCB,   | 1                  |
| 2        | 102-1204  | Cable, Antenna, External, Narrow-band Decoder                                       | 1                  |
| 3        | *102-0655 | Antenna, 450-475 MHz, w/BNC Connector (optional)                                    | -                  |
| 4        | *102-1202 | Narrow-band Decoder Module for Plastic Cabinet                                      | 1                  |
| 5        | 363-3946  | Standoff, Plastic, Locking  | 4                  |
| 6        | 102-0661  | Faceplate, Decoder Mounting   | 1                  |
| 7        | *102-0659 | Ribbon Cable (Output Distribution Module to Decoder Module)                         | 1                  |
| 8        | 102-0664  | Mounting Plate, TM  | 1                  |
| 9        | *102-0672 | Output Distribution Module Assy.  | 1                  |
| 10       | *102-0670 | Ribbon Cable (Output Distribution Module to Output Modules) ** (Qty Varies w/Model) | **                 |
| 11       | -----     | Field Interface Components (See p. 256 for Parts Listing)                           | -                  |
| 12       | 102-0408  | See <b>Power Supply Assembly, Network LTC Plus Sat and E-Series OSMAC</b> section.  | 1                  |
| 13       | -----     | See <b>Plastic Satellite Pedestal</b> Section for details.                          | 1                  |

\* Order Through Finished Goods Distribution System—Minneapolis