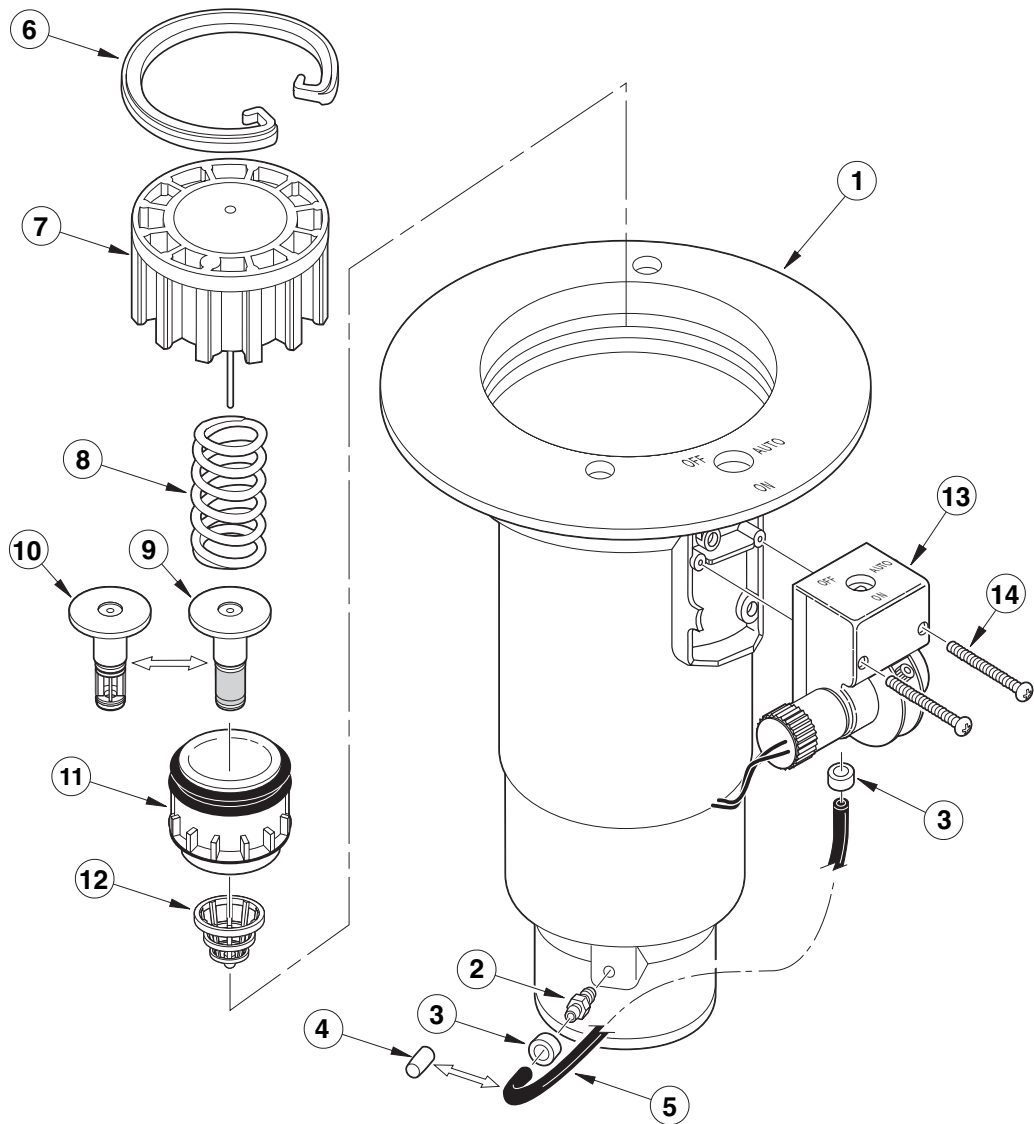


Golf Sprinkler Body — 1.5 Inch — 800S & DT Series



Item No.	Part No.	Description	Quantity Per Assy.
		1.5 INCH NPT BODY STYLE	
1	102-1149	Electric w/o VIH (Includes Items 1–2)	1
1	102-1143	Hydraulic NO w/o VIH (Includes Items 1–2)	1
1	102-1137	COM w/o VIH (Includes Items 1–3 & 5)	1
		1.5 INCH BSP BODY STYLE	
1	102-1151	Electric w/o VIH (Includes Items 1–2)	1
1	102-1139	COM w/o VIH (Includes Items 1–3 & 5)	1
1	102-1145	Hydraulic NO w/o VIH (Includes Items 1–2)	1
		1.5 INCH ACME BODY STYLE	
1	102-1153	Electric w/o VIH (Includes Items 1–2)	1
1	102-1141	COM w/o VIH (Includes Items 1–3 & 5)	1
1	102-1147	Hydraulic NO w/o VIH (Includes Items 1–2)	1