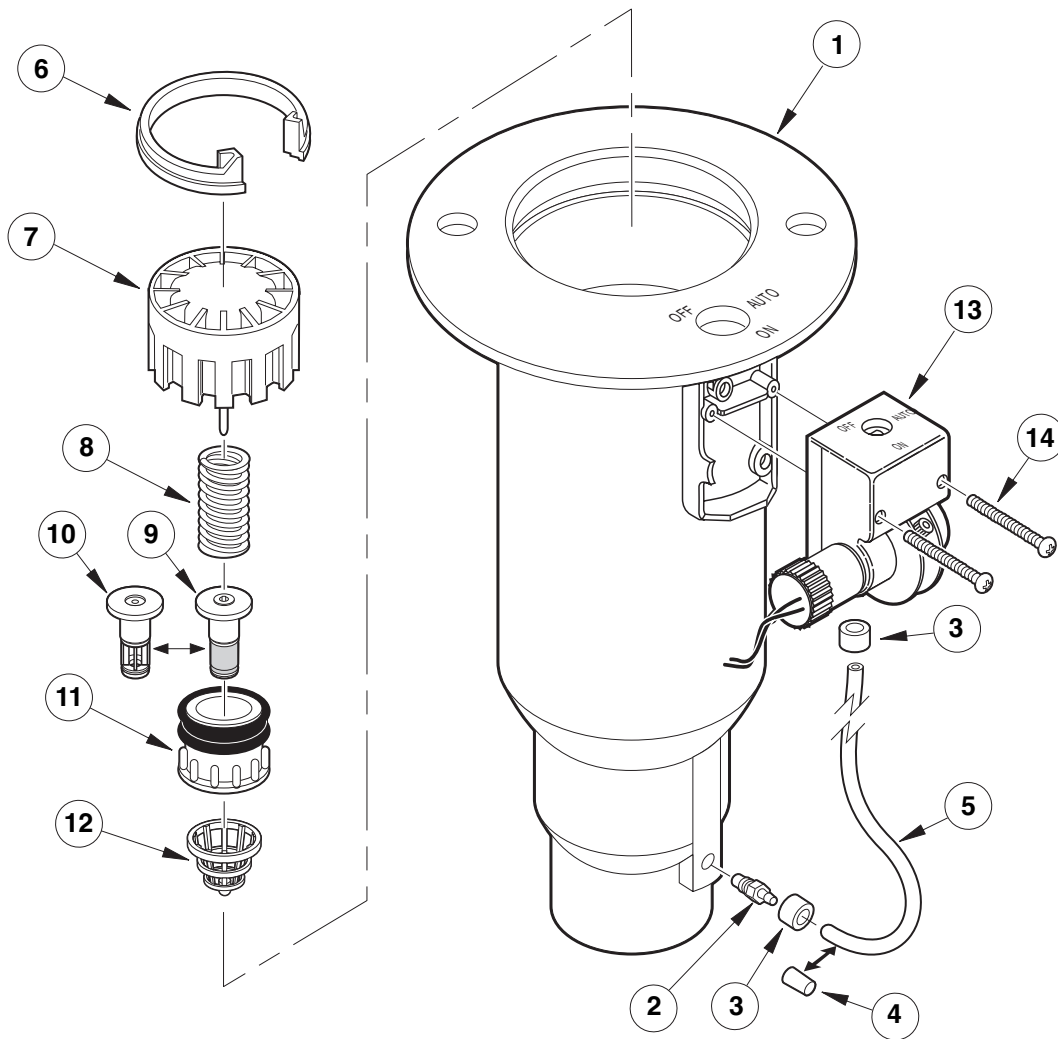


# Golf Sprinkler Body — 1 Inch — 800S & DT Series



Item No.	Part No.	Description	Quantity Per Assy.
1	102-1090	<b>1 INCH NPT BODY STYLE</b> Electric w/o VIH (Includes Items 1–2)	1
1	102-1084	Hydraulic NO w/o VIH (Includes Items 1–2)	1
1	102-1078	COM w/o VIH (Includes Items 1–3 & 5)	1
1	102-1092	<b>1 INCH BSP BODY STYLE</b> Electric w/o VIH (Includes Items 1–2)	1
1	102-1086	Hydraulic NO w/o VIH (Includes Items 1–2)	1
1	102-1080	COM w/o VIH (Includes Items 1–3 & 5)	1
1	102-1094	<b>1 INCH BSP BODY STYLE</b> 1" ACME Body Style, Electric w/o VIH (Includes Items 1–2)	1
1	102-1088	1" ACME Body Style, Hydraulic NO w/o VIH (Includes Items 1–2)	1
1	102-1082	1" ACME Body Style, COM w/o VIH (Includes Items 1–3 & 5)	1