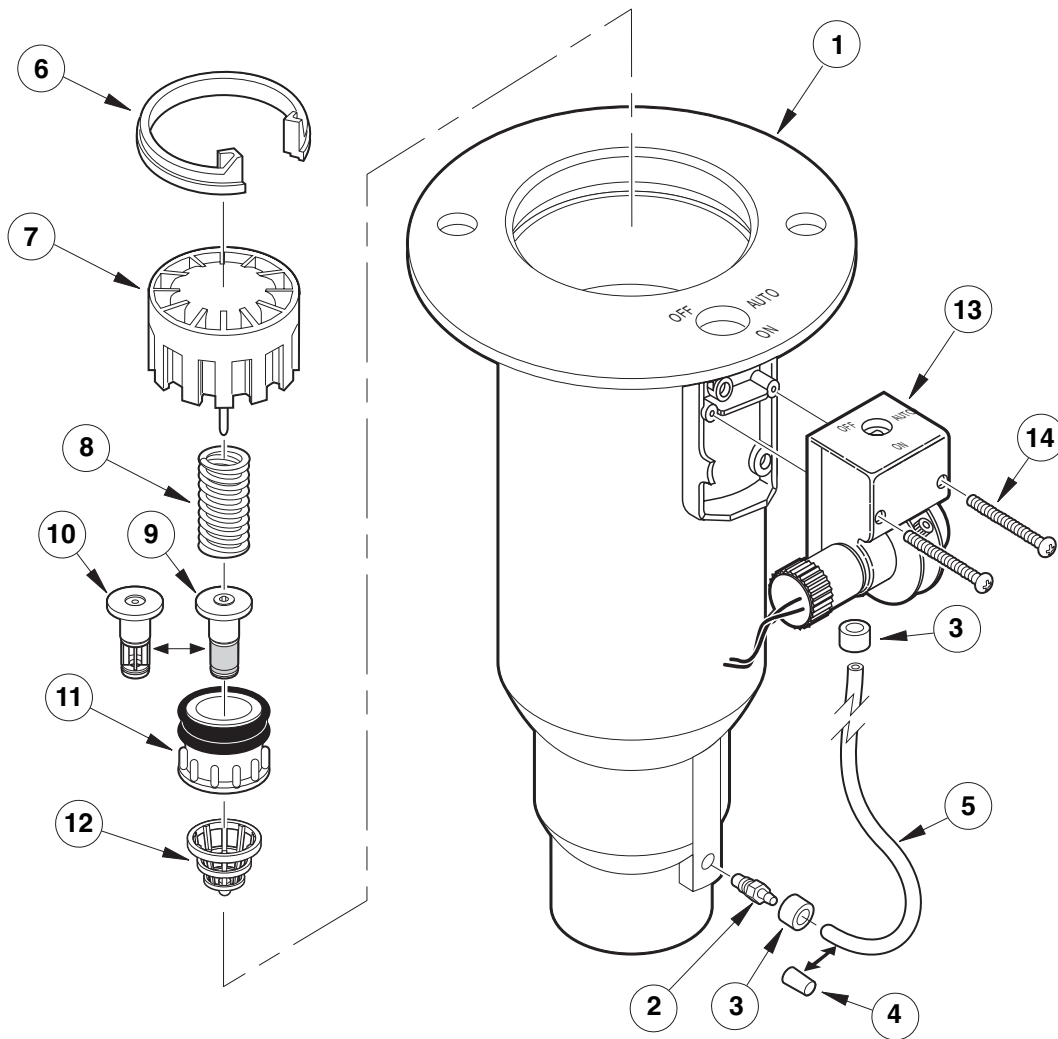


Golf Sprinkler Body – 1 Inch – 800S & DT Series



Item No.	Part No.	Description	Quantity Per Assy.
1	102-1090	1 INCH NPT BODY STYLE Electric w/o VIH (Includes Items 1–2)	1
1	102-1084	Hydraulic NO w/o VIH (Includes Items 1–2)	1
1	102-1078	COM w/o VIH (Includes Items 1–3 & 5)	1
1	102-1092	1 INCH BSP BODY STYLE Electric w/o VIH (Includes Items 1–2)	1
1	102-1086	Hydraulic NO w/o VIH (Includes Items 1–2)	1
1	102-1080	COM w/o VIH (Includes Items 1–3 & 5)	1
1	102-1094	1 INCH BSP BODY STYLE 1" ACME Body Style, Electric w/o VIH (Includes Items 1–2)	1
1	102-1088	1" ACME Body Style, Hydraulic NO w/o VIH (Includes Items 1–2)	1
1	102-1082	1" ACME Body Style, COM w/o VIH (Includes Items 1–3 & 5)	1

Item No.	Part No.	Description	Quantity Per Assy.
2	9-6002	Adapter, Tubing, Threaded, 1/4"	1
3	*900-40	Retainer, Tube	2
4	89-8157	Cap, Poly	1
5	9-2623	Tubing, Poly, 1/4" x 8", EL	1
5	9-1876	Tubing, Poly, 1/4" x 12", COM	1
6	89-4702	Snap Ring, Valve	1
7	102-0623	Cylinder Assy., EL & NO/COM	1
8	3-2633	Spring, Valve, NO/EL, Silver	1
8	89-5821	Spring, Valve, COM, Black	1
9	35-9646	Filter Assy., Metering, EL	1
10	102-6529	Filter Assy., Non-Metering, NO/COM	1
11	102-6314	Piston Assy., NO & COM (Includes Item 10)	1
11	89-1054	Piston Assy., EL (Includes Item 9)	1
12	102-0784	Rock Screen, 1"	1
13	- - - - -	Pilot Valve Assy. (See p. 109)	1
14	3-2696	Screw, Tap #8	2
		SERVICE ITEMS	
	102-6313	Valve Assy., NO (Includes Items 7, 8, 10 & 11)	
	102-6312	Valve Assy., COM (Includes Items 7, 8, 10 & 11)	
	102-0624	Valve Assy., EL, NC (Includes Items 7-9, & 11)	
		* Order Through Finished Goods Distribution System—Minneapolis	