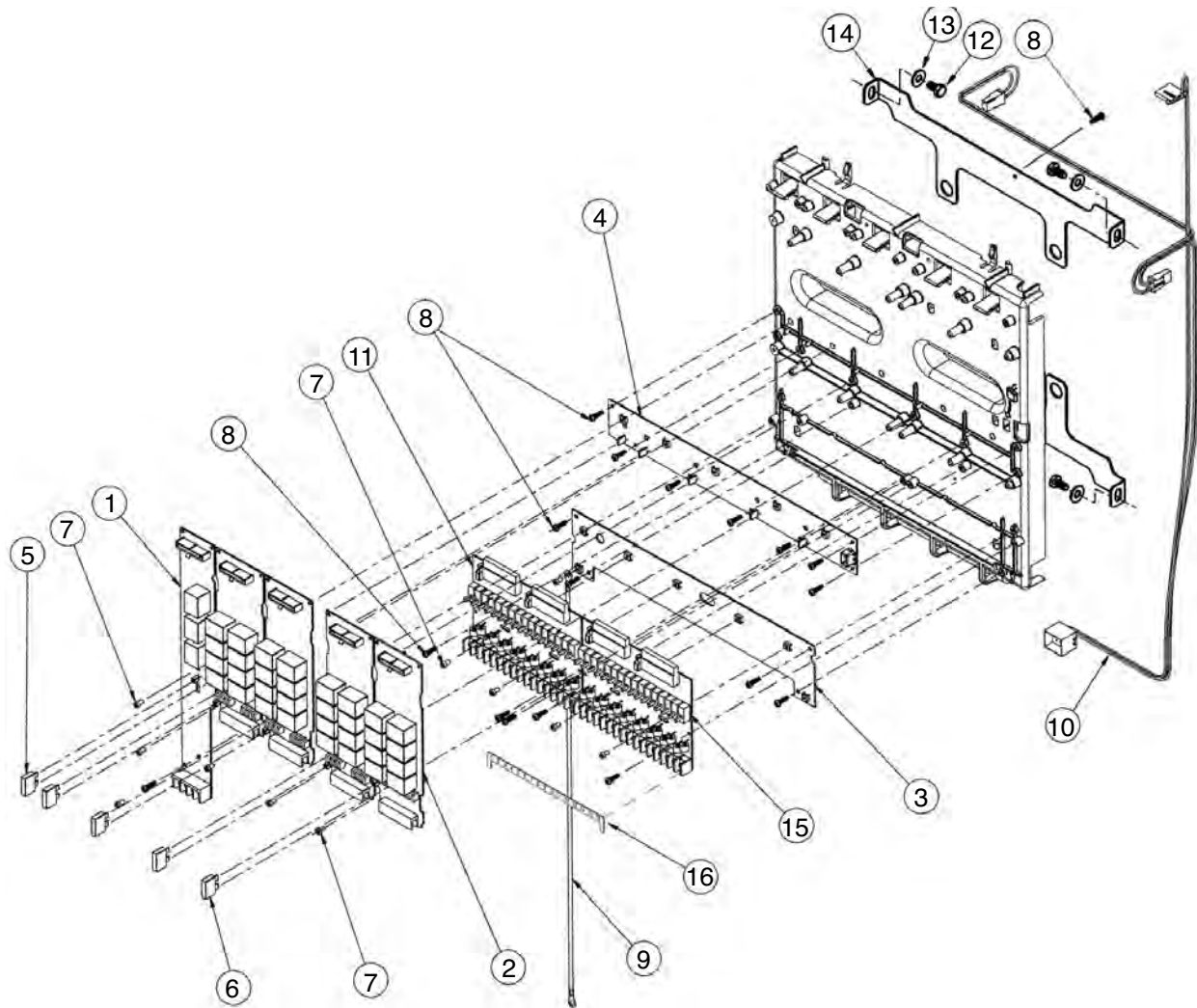
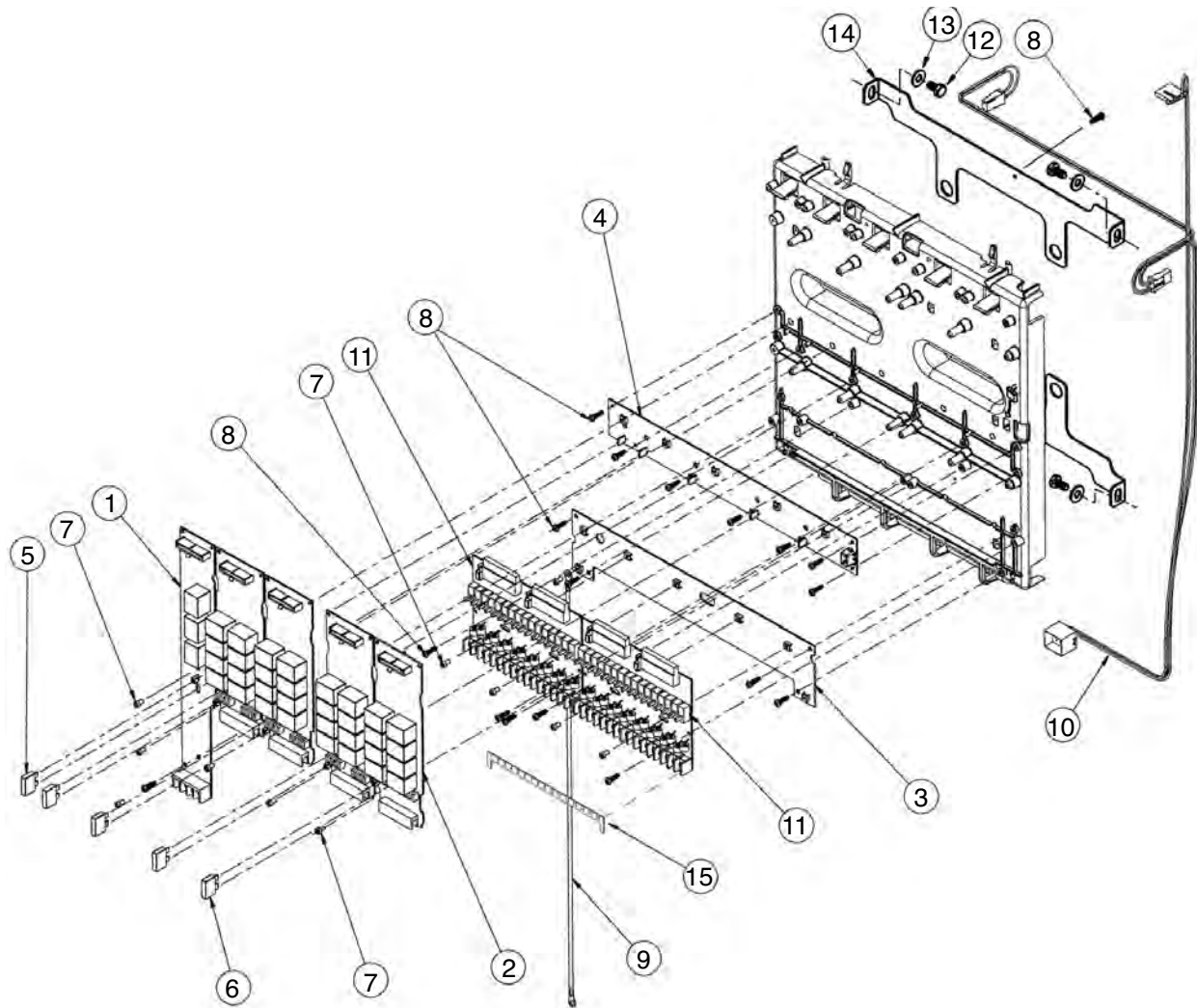


## Network VP Satellite – Internal Components



| Item No. | Part No.   | Description  | Quantity Per Assy. |
|----------|------------|--|--------------------|
| 1        | 102-3015SK | Pump/Common Module Assy. (Includes Items 5, 7 & 102-0670 Ribbon Cable)       | 1                  |
| 2        | *102-0654  | Output Module Assy., 8-Station (Includes Items 6, 7 & 102-0670 Ribbon Cable) | **                 |
| 3        | 102-0652   | Ground Bus Bar PCB Assy., Service (Includes Item 8)                          | 1                  |
| 4        | 102-0653   | 24 V a.c. Bus Bar PCB Assy., Service (Includes Item 8)                       | 1                  |
| 5        | 102-0658   | Fuse, 1.0 Amp, Fast-blow, Service (5-pack)                                   | 1                  |
| 6        | 102-0657   | Fuse, 3.0 Amp, Fast-blow, Service (5-pack)                                   | 4                  |
| 7        | 102-0671   | Screw, Machine, 6-32 x 1/4"  | 11                 |
| 8        | 363-1355   | Screw, #6, Self-Taping   | 20                 |
| 9        | 102-0685   | Wire Harness Assy., Grounding  | 1                  |
| 10       | 102-0686   | Wire Harness Assy., Power Supply   | 1                  |
| N/I      | *102-0638  | 8-Station Terminal Block (M0 Surge Level)                                    | **                 |
| 11       | *102-0639  | 16-Station Module Assy. (M1 Surge Upgrade) (Includes Items 7 & 8)            | **                 |
| 11       | *102-0640  | 16-Station Module Assy. (M2 Surge Upgrade) (Includes Items 7 & 8)            | **                 |
| 11       | *102-0641  | 16-Station Module Assy. (M3 Surge Upgrade) (Includes Items 7 & 8)            | **                 |
| 11       | *102-0642  | 16-Station Module Assy. (M4 Surge Upgrade) (Includes Items 7 & 8)            | **                 |
| 12       | 360-0595   | Screw, Machine, 1/4-20 x 1/2"  | 4                  |
| 13       | 360-0140   | Washer, Flat, 1/4"   | 4                  |
| 14       | -----      | Bracket, Mount Backplate   | 2                  |
| 15       | 102-4586   | Plastic Cover, Switches  | **                 |
| 16       | 102-5940SK | Kit, Station Labels, Numbered, Plastic                                       | **                 |
|          |            | * Order Through Finished Goods Distribution System—Minneapolis               |                    |
|          |            | ** Quantity Varies With Model  |                    |

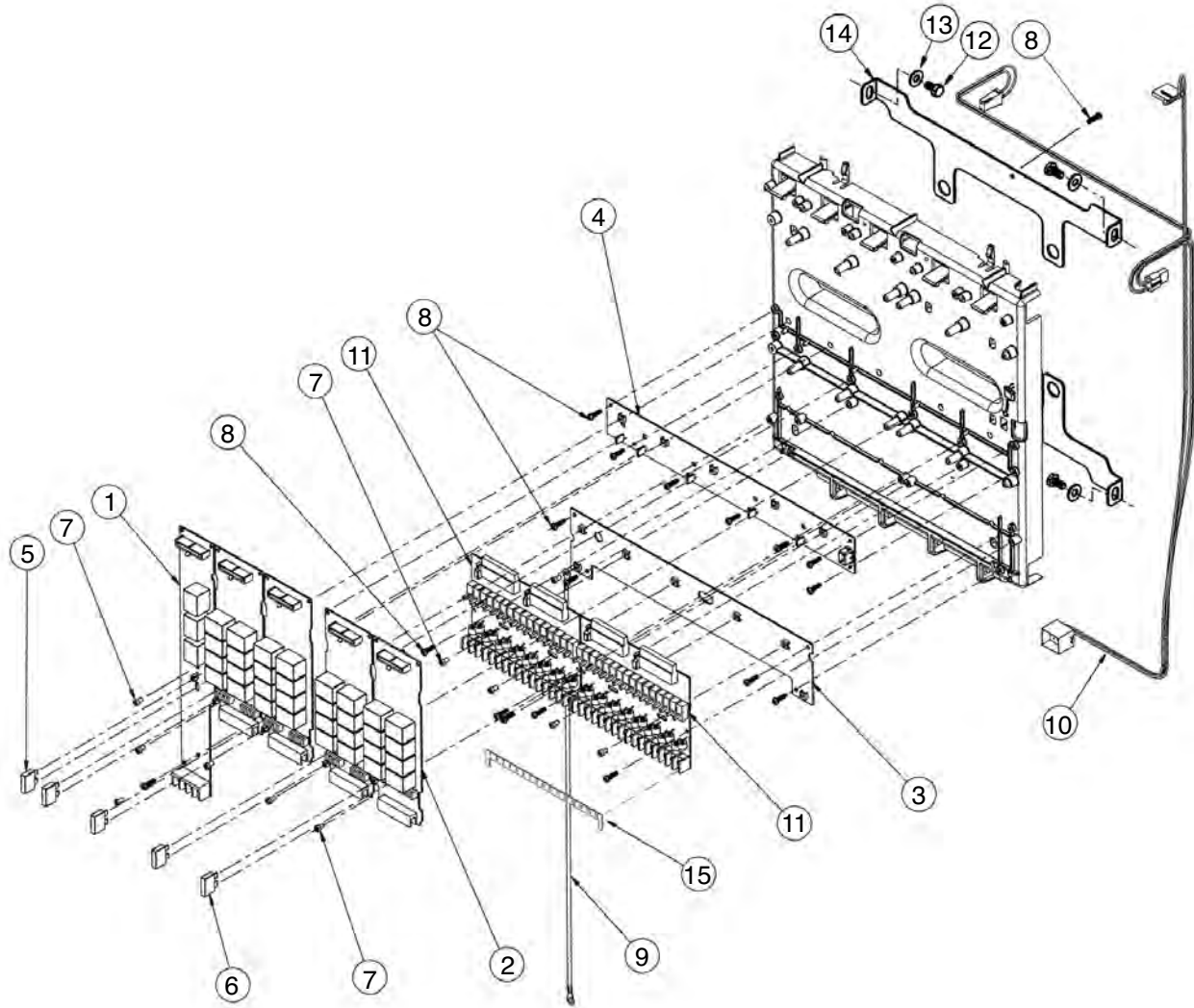
# E-Series OSMAC Satellite, Narrow-band, Field Interface Components (Sheet 3 of 3)



| Item No. | Part No.   | Description  | Quantity Per Assy. |
|----------|------------|--|--------------------|
| 1        | *102-0669  | Pump/Common Module Assy. (Includes Items 5, 7 & 102-0670 Ribbon Cable)       | 1                  |
| 2        | *102-0654  | Output Module Assy., 8-Station (Includes Items 6, 7 & 102-0670 Ribbon Cable) | **                 |
| 3        | 102-0652   | Ground Bus Bar PCB Assy., Service (Includes Item 8)                          | 1                  |
| 4        | 102-0653   | 24 V a.c. Bus Bar PCB Assy., Service (Includes Item 8)                       | 1                  |
| 5        | 102-0658   | Fuse, 1.0 Amp, Fast-blow, Service (5-pack)                                   | 1                  |
| 6        | 102-0657   | Fuse, 3.0 Amp, Fast-blow, Service (5-pack)                                   | 4                  |
| 7        | 102-0671   | Screw, Machine, 6-32 x 1/4"  | 11                 |
| 8        | 363-1355   | Screw, #6, Self-Taping   | 20                 |
| 9        | 102-0685   | Wire Harness Assy., Grounding  | 1                  |
| 10       | 102-0686   | Wire Harness Assy., Power Supply   | 1                  |
| N/I      | *102-0638  | 8-Station Terminal Block (M0 Surge Level)                                    | **                 |
| 11       | *102-0639  | 16-Station Module Assy. (M1 Surge Upgrade) (Includes Items 7 & 8)            | **                 |
| 11       | *102-0640  | 16-Station Module Assy. (M2 Surge Upgrade) (Includes Items 7 & 8)            | **                 |
| 11       | *102-0641  | 16-Station Module Assy. (M3 Surge Upgrade) (Includes Items 7 & 8)            | **                 |
| 11       | *102-0642  | 16-Station Module Assy. (M4 Surge Upgrade) (Includes Items 7 & 8)            | **                 |
| 12       | 360-0595   | Screw, Machine, 1/4-20 x 1/2"  | 4                  |
| 13       | 360-0140   | Washer, Flat, 1/4"   | 4                  |
| 14       | -----      | Bracket, Mount Backplate   | 2                  |
| 15       | 102-5940SK | Kit, Station Labels, Numbered, Plastic                                       | **                 |

\* Order Through Finished Goods Distribution System—Minneapolis  
 \*\* Quantity Varies With Model

# E-Series OSMAC Satellite, Wide-band, Field Interface Components (Sheet 3 of 3)



| Item No. | Part No.   | Description  | Quantity Per Assy. |
|----------|------------|--|--------------------|
| 1        | *102-0669  | Pump/Common Module Assy. (Includes Items 5, 7 & 102-0670 Ribbon Cable)       | 1                  |
| 2        | *102-0654  | Output Module Assy., 8-Station (Includes Items 6, 7 & 102-0670 Ribbon Cable) | **                 |
| 3        | 102-0652   | Bus Bar, PCB Assy., Ground, Service (Includes Item 8)                        | 1                  |
| 4        | 102-0653   | Bus Bar PCB Assy., 24 V a.c, Service (Includes Item 8)                       | 1                  |
| 5        | 102-0658   | Fuse, 1.0 Amp, Fast-blow, Service (5-pack)                                   | 1                  |
| 6        | 102-0657   | Fuse, 3.0 Amp, Fast-blow, Service (5-pack)                                   | 4                  |
| 7        | 102-0671   | Screw, Machine, #6-32 x 1/4"   | 11                 |
| 8        | 363-1355   | Screw, #6, Self-taping   | 20                 |
| 9        | 102-0685   | Wire Harness Assy., Grounding  | 1                  |
| 10       | 102-0686   | Wire Harness Assy., Power Supply   | 1                  |
| N/I      | *102-0638  | 8-Station Terminal Block (M0 Surge Level)                                    | **                 |
| 11       | *102-0639  | 16-Station Module Assy.(M1 Surge Upgrade) (Includes Items 7 & 8)             | **                 |
| 11       | *102-0640  | 16-Station Module Assy.(M2 Surge Upgrade) (Includes Items 7 & 8)             | **                 |
| 11       | *102-0641  | 16-Station Module Assy.(M3 Surge Upgrade) (Includes Items 7 & 8)             | **                 |
| 11       | *102-0642  | 16-Station Module Assy.(M4 Surge Upgrade) (Includes Items 7 & 8)             | **                 |
| 12       | 360-0595   | Screw, Machine, 1/4-20 x 1/2"  | 4                  |
| 13       | 360-0140   | Washer, Flat, 1/4"   | 4                  |
| 14       | -----      | Bracket, Mount Backplate   | 2                  |
| 15       | 102-5940SK | Kit, Station Labels, Numbered, Plastic                                       | **                 |
|          |            | * Order Through Finished Goods Distribution System—Minneapolis               |                    |
|          |            | **Quantity Varies With Model   |                    |