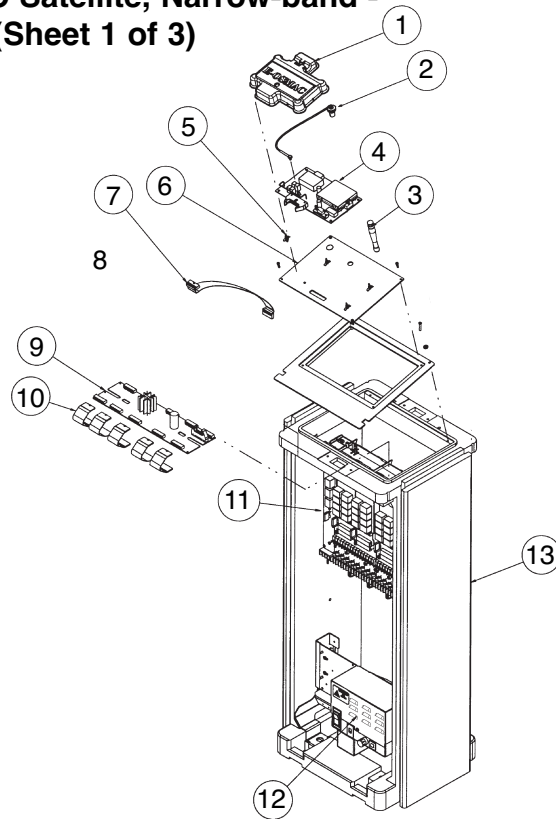


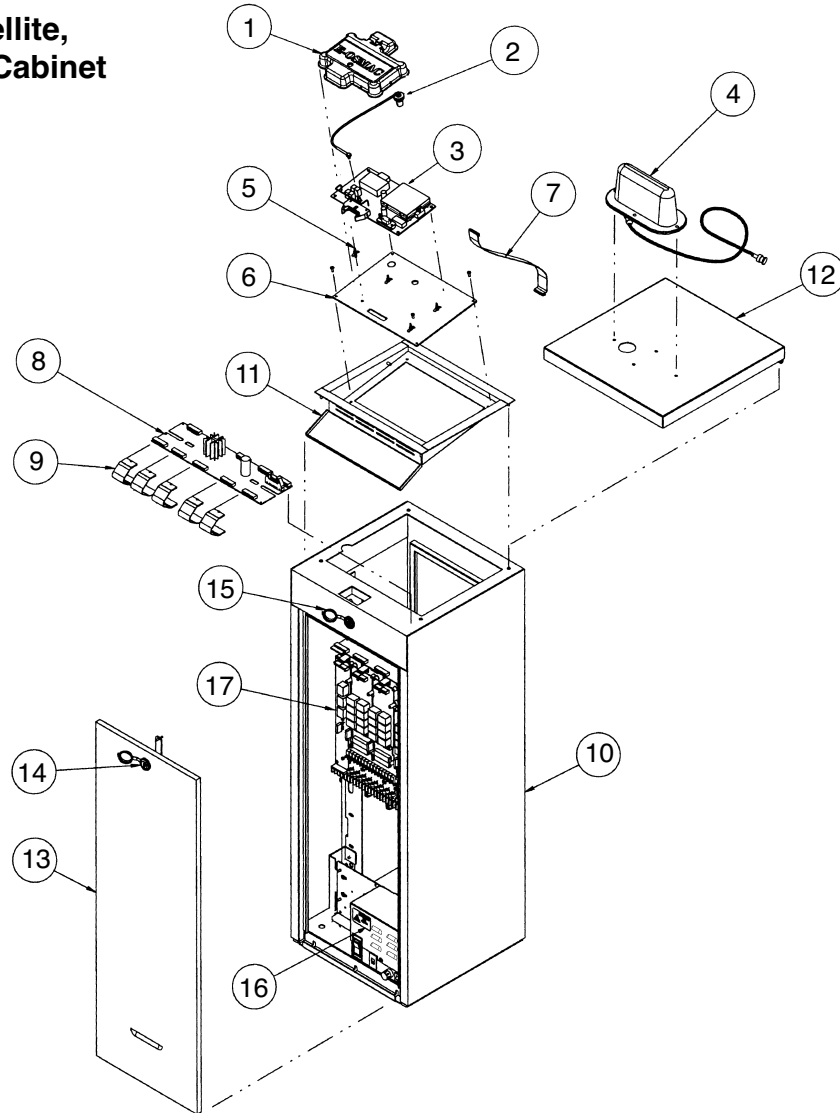
## E-Series OSMAC Satellite, Narrow-band - Plastic Cabinet (Sheet 1 of 3)



| Item No. | Part No.  | Description   | Quantity Per Assy. |
|----------|-----------|---|--------------------|
| 1        | 102-2624  | Cover, Decoder PCB,   | 1                  |
| 2        | 102-1204  | Cable, Antenna, External, Narrow-band Decoder                                       | 1                  |
| 3        | *102-0655 | Antenna, 450-475 MHz, w/BNC Connector (optional)                                    | -                  |
| 4        | *102-1202 | Narrow-band Decoder Module for Plastic Cabinet                                      | 1                  |
| 5        | 363-3946  | Standoff, Plastic, Locking  | 4                  |
| 6        | 102-0661  | Faceplate, Decoder Mounting   | 1                  |
| 7        | *102-0659 | Ribbon Cable (Output Distribution Module to Decoder Module)                         | 1                  |
| 8        | 102-0664  | Mounting Plate, TM  | 1                  |
| 9        | *102-0672 | Output Distribution Module Assy.  | 1                  |
| 10       | *102-0670 | Ribbon Cable (Output Distribution Module to Output Modules) ** (Qty Varies w/Model) | **                 |
| 11       | -----     | Field Interface Components (See p. 256 for Parts Listing)                           | -                  |
| 12       | 102-0408  | See <b>Power Supply Assembly, Network LTC Plus Sat and E-Series OSMAC</b> section.  | 1                  |
| 13       | -----     | See <b>Plastic Satellite Pedestal</b> Section for details.                          | 1                  |

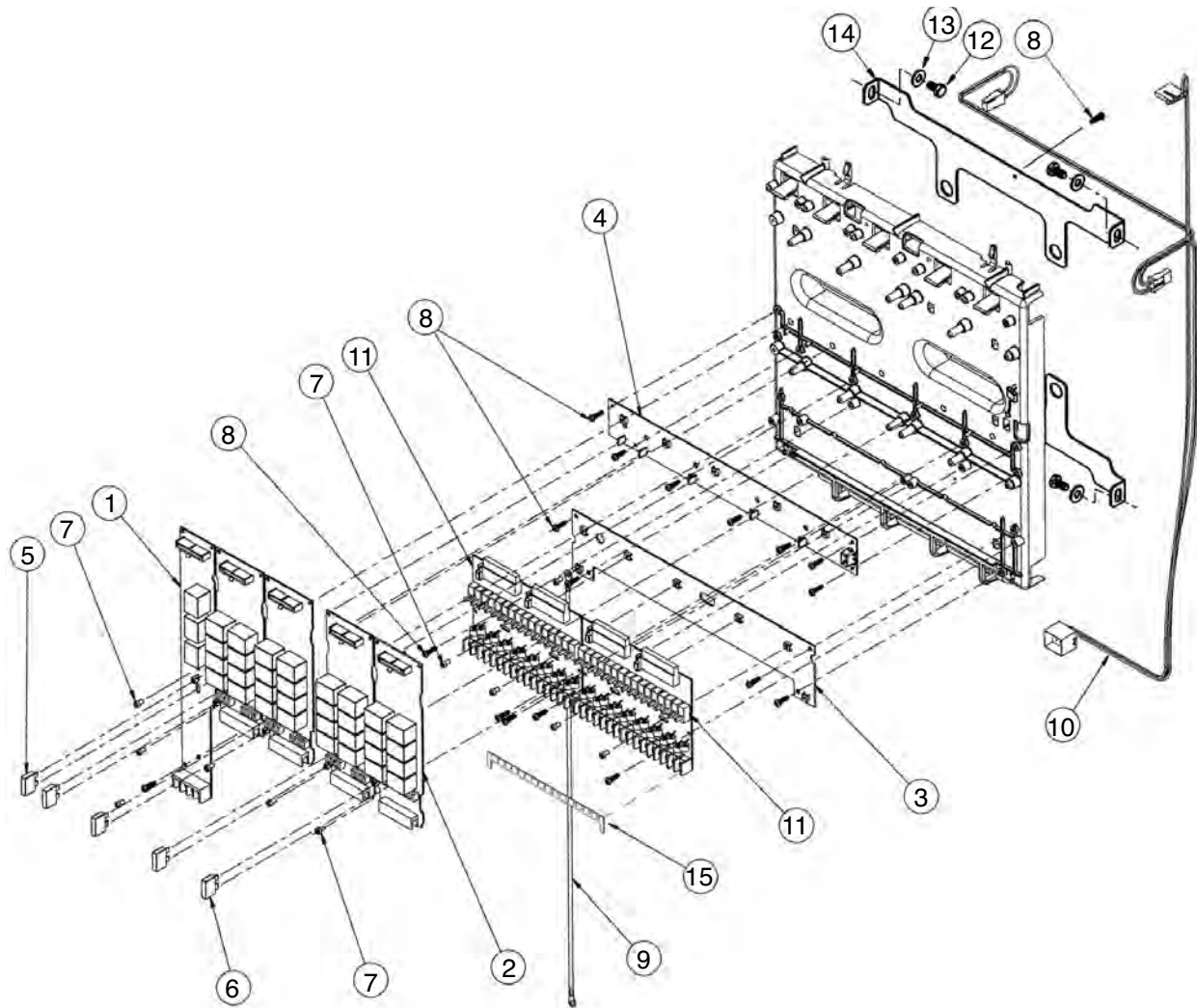
\* Order Through Finished Goods Distribution System—Minneapolis

**E-Series OSMAC Satellite,  
Narrow-band - Metal Cabinet  
(Sheet 2 of 3)**



| Item No. | Part No.  | Description  | Quantity Per Assy. |
|----------|-----------|--|--------------------|
| 1        | 102-0662  | Cover, Decoder Module Assy.  | 1                  |
| 2        | 102-1204  | Cable, Antenna, External, Narrow-band Decoder                                      | 1                  |
| 3        | *102-1203 | Narrow-band Decoder Module for Metal Cabinet                                       | 1                  |
| 4        | 102-0663  | UHF Dome Style Antenna Assy., 450-475 MHz w/Cable                                  | 1                  |
| 5        | 363-3946  | Standoffs, Plastic, Locking  | 4                  |
| 6        | 102-0661  | Faceplate, Decoder Mounting  | 1                  |
| 7        | 102-0659  | Ribbon Cable (Decoder Module to Distribution Module)                               | 1                  |
| 8        | *102-0672 | Distribution Board, Output, Parallel   | 1                  |
| 9        | 102-0670  | Ribbon Cable (Distribution Board to Output Module) ** (Quantity Varies With Model) | **                 |
| 10       | -----     | Base, Pedestal, SST w/Lock Assy. (See Service Item 102-0702)                       | 1                  |
| 11       | -----     | Mounting Plate, TM (See Service Item 102-0684)                                     | 1                  |
| 12       | -----     | Lid Assy., Pedestal, SST (See Service Item 102-0703)                               | 1                  |
| 13       | -----     | Door, Pedestal, SST, w/Lock Assy., (See Service Item 102-0704)                     | 2                  |
| 14       | -----     | Lock Assy., Door, (See Service Item 102-0714)                                      | 2                  |
| 15       | -----     | Lock Assy., Pedestal Base (See Service Item 102-0705)                              | 1                  |
| 16       | 102-0645  | Power Supply Assy. (See p. 253 for Parts Listing)                                  | 1                  |
| 17       | -----     | Field Interface Components (See p. 256 for Parts Listing)                          | -                  |
|          |           | <b>SERVICE ITEMS</b>   |                    |
|          | 102-0684  | Mounting Plate, TM, Service (Includes Item 11)                                     | 1                  |
|          | 102-0714  | Lock Assy., Door, w/Keys & Cover, Service (Includes Item 14)                       |                    |
|          | 102-0705  | Lock Assy., Pedestal Base, w/Keys & Cover, Service (Includes item 15)              |                    |
|          | 102-0702  | Base, Pedestal, SST w/Lock Assy., Service (Includes Items 10 & 15)                 |                    |
|          | 102-0696  | Pedestal Assy., Service (Includes Items 10-15)                                     |                    |
|          | 102-0703  | Lid Assy., Pedestal, SST, Service (Includes Item 12)                               |                    |
|          | 102-0704  | Door, Pedestal, SST, w/Lock Assy., Service, (Includes Item 14)                     |                    |
|          | 102-2605  | Antenna Kit, Narrow Band   |                    |
|          |           | * Order Through Finished Goods Distribution System—Minneapolis                     |                    |

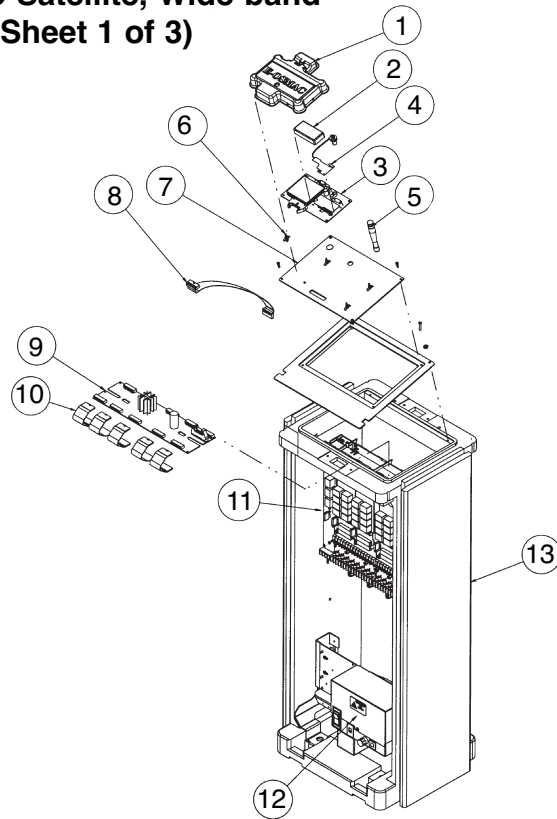
# E-Series OSMAC Satellite, Narrow-band, Field Interface Components (Sheet 3 of 3)



| Item No. | Part No.   | Description  | Quantity Per Assy. |
|----------|------------|--|--------------------|
| 1        | *102-0669  | Pump/Common Module Assy. (Includes Items 5, 7 & 102-0670 Ribbon Cable)       | 1                  |
| 2        | *102-0654  | Output Module Assy., 8-Station (Includes Items 6, 7 & 102-0670 Ribbon Cable) | **                 |
| 3        | 102-0652   | Ground Bus Bar PCB Assy., Service (Includes Item 8)                          | 1                  |
| 4        | 102-0653   | 24 V a.c. Bus Bar PCB Assy., Service (Includes Item 8)                       | 1                  |
| 5        | 102-0658   | Fuse, 1.0 Amp, Fast-blow, Service (5-pack)                                   | 1                  |
| 6        | 102-0657   | Fuse, 3.0 Amp, Fast-blow, Service (5-pack)                                   | 4                  |
| 7        | 102-0671   | Screw, Machine, 6-32 x 1/4"  | 11                 |
| 8        | 363-1355   | Screw, #6, Self-Taping   | 20                 |
| 9        | 102-0685   | Wire Harness Assy., Grounding  | 1                  |
| 10       | 102-0686   | Wire Harness Assy., Power Supply   | 1                  |
| N/I      | *102-0638  | 8-Station Terminal Block (M0 Surge Level)                                    | **                 |
| 11       | *102-0639  | 16-Station Module Assy. (M1 Surge Upgrade) (Includes Items 7 & 8)            | **                 |
| 11       | *102-0640  | 16-Station Module Assy. (M2 Surge Upgrade) (Includes Items 7 & 8)            | **                 |
| 11       | *102-0641  | 16-Station Module Assy. (M3 Surge Upgrade) (Includes Items 7 & 8)            | **                 |
| 11       | *102-0642  | 16-Station Module Assy. (M4 Surge Upgrade) (Includes Items 7 & 8)            | **                 |
| 12       | 360-0595   | Screw, Machine, 1/4-20 x 1/2"  | 4                  |
| 13       | 360-0140   | Washer, Flat, 1/4"   | 4                  |
| 14       | -----      | Bracket, Mount Backplate   | 2                  |
| 15       | 102-5940SK | Kit, Station Labels, Numbered, Plastic                                       | **                 |

\* Order Through Finished Goods Distribution System—Minneapolis  
 \*\* Quantity Varies With Model

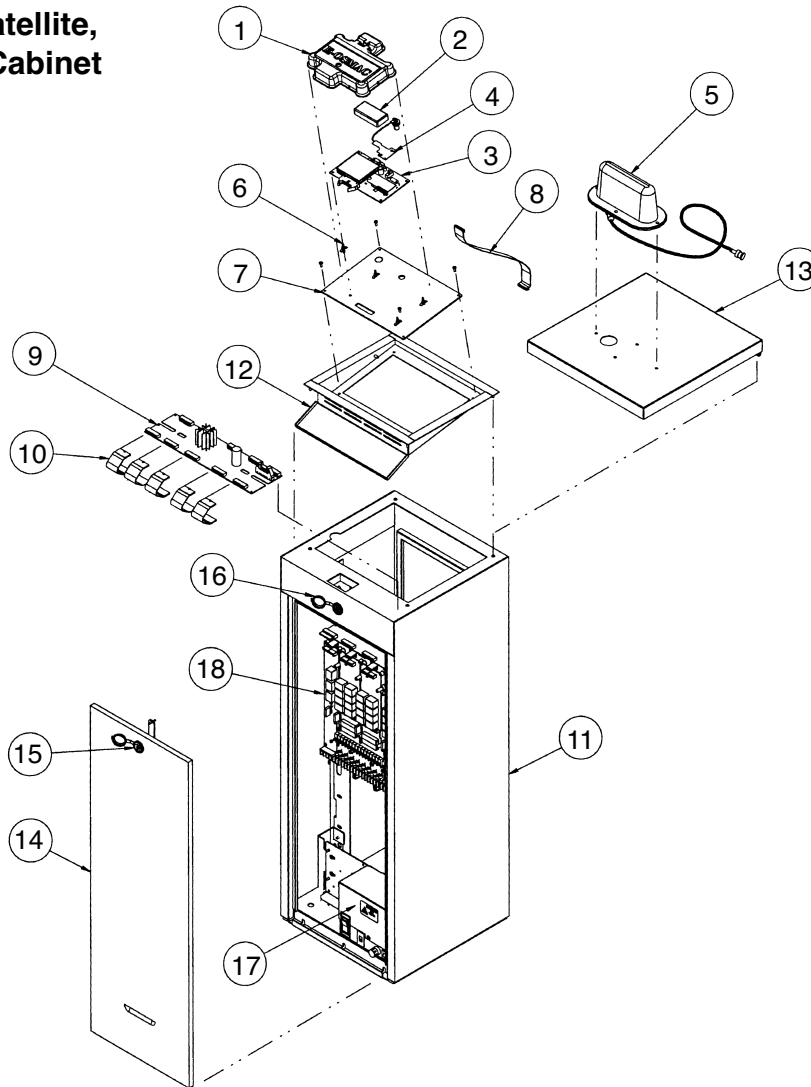
**E-Series OSMAC Satellite, Wide-band -  
Plastic Cabinet (Sheet 1 of 3)**



| Item No. | Part No.  | Description  | Quantity Per Assy. |
|----------|-----------|--|--------------------|
| 1        | 102-2624  | Cover, Decoder PCB,  | 1                  |
| 2        | *N1551    | Receiver Module  | 1                  |
| 3        | *102-0660 | Decoder Frequency Module Assy. (Includes Item 6)   | 1                  |
| 4        | *102-0656 | Antenna PCB Assy. (Optional)   | -                  |
| 5        | *102-0655 | Antenna, 450-475 MHz, w/BNC Connector (Optional)   | -                  |
| 6        | 363-3946  | Standoff, Plastic, Locking   | 4                  |
| 7        | 102-0661  | Faceplate, Decoder Mounting  | 1                  |
| 8        | *102-0659 | Ribbon Cable (Output Distribution Module to Decoder Module)                                | 1                  |
| 9        | *102-0672 | Output Distribution Module Assy.   | 1                  |
| 10       | *102-0670 | Ribbon Cable (Output Distribution Module to Output Modules) <b>**</b> (Qty Varies w/Model) | <b>**</b>          |
| 11       | -----     | Field Interface Components (See p. 259 for Parts Listing)                                  | -                  |
| 12       | 102-0408  | Power Supply Assy. (See p. 253 for Parts Listing)  | 1                  |
| 13       | -----     | See <b>Plastic Satellite Pedestal</b> section for details.                                 | 1                  |

\* Order Through Finished Goods Distribution System—Minneapolis

**E-Series OSMAC Satellite,  
Wide-band - Metal Cabinet  
(Sheet 2 of 3)**



| Item No. | Part No.  | Description  | Quantity Per Assy. |
|----------|-----------|--|--------------------|
| 1        | 102-2624  | Cover, Decoder Module Assy., Service   | 1                  |
| 2        | *N1551    | Receiver Module  | 1                  |
| 3        | *102-0660 | Receiver/Decoder Module Assy. (Includes Item 6)                                      | 1                  |
| 4        | *102-0656 | Antenna PCB Assy.  | 1                  |
| 5        | 102-0663  | UHF Dome Style Antenna Assy., 450–475 MHz, Service, w/Cable                          | 1                  |
| 6        | 363-3946  | Standoffs, Plastic, Locking  | 4                  |
| 7        | 102-0661  | Faceplate, Decoder Mounting  | 1                  |
| 8        | *102-0659 | Ribbon Cable (Decoder Module to Distribution Module)                                 | 1                  |
| 9        | *102-0672 | Distribution Board, Output, Parallel   | 1                  |
| 10       | *102-0670 | Ribbon Cable (Distribution Board to Output Module)      ** (Quantity Varies w/Model) | **                 |
| 11       | -----     | Base, Pedestal, SST w/Lock Assy. (See Service Item 102-0702)                         | 1                  |
| 12       | -----     | Mounting Plate, TM (See Service Item 102-0684)                                       | 1                  |
| 13       | -----     | Lid Assy., Pedestal, SST (See Service Item 102-0703)                                 | 1                  |
| 14       | -----     | Door, Pedestal, SST, w/Lock Assy., (See Service Item 102-0704)                       | 2                  |
| 15       | -----     | Lock Assy., Door, (See Service Item 102-0714)  | 2                  |
| 16       | -----     | Lock Assy., Pedestal Base (See Service Item 102-0705)                                | 1                  |
| 17       | 102-0645  | Power Supply Assy. (See p. 253 for Parts Listing)                                    | 1                  |
| 18       | -----     | Field Interface Components (See p. 259 for Parts Listing)                            | —                  |
|          |           | <b>SERVICE ITEMS</b>   |                    |
|          | 102-0684  | Mounting Plate, TM, Service (Includes Item 12)                                       | 1                  |
|          | 102-0714  | Lock Assy., Door, w/Keys & Cover, Service (Includes Item 15)                         |                    |
|          | 102-0705  | Lock Assy., Pedestal Base, w/Keys & Cover, Service (Includes item 16)                |                    |
|          | 102-0702  | Base, Pedestal, SST w/Lock Assy., Service (Includes Items 11 & 16)                   |                    |
|          | 102-0696  | Pedestal Assy., Service (Includes Items 11–16)                                       |                    |
|          | 102-0703  | Lid Assy., Pedestal, SST, Service (Includes Item 13)                                 |                    |
|          | 102-0704  | Door, Pedestal, SST, w/Lock Assy., Service, (Includes Item 15)                       |                    |
|          |           | * Order Through Finished Goods Distribution System—Minneapolis                       |                    |