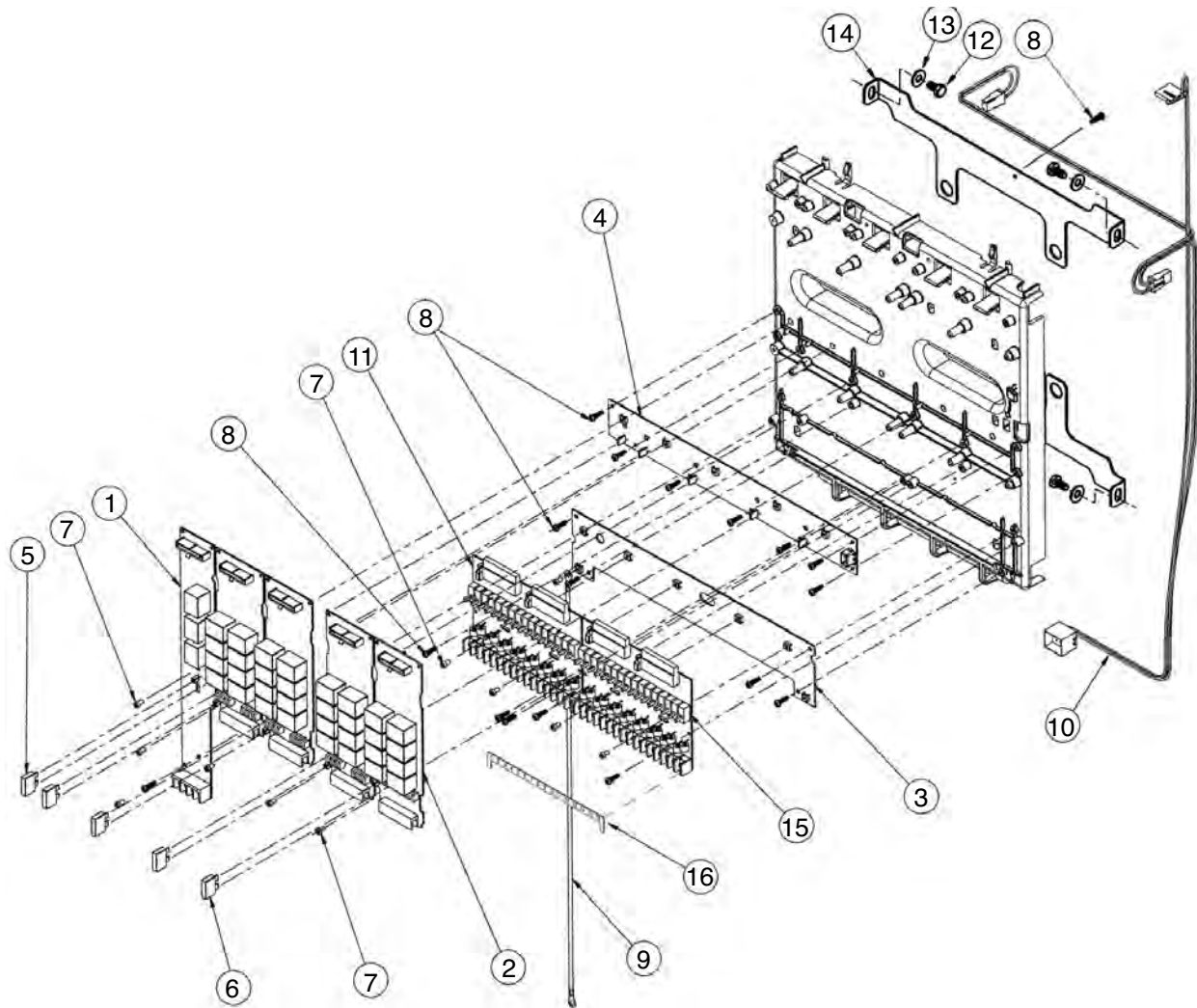
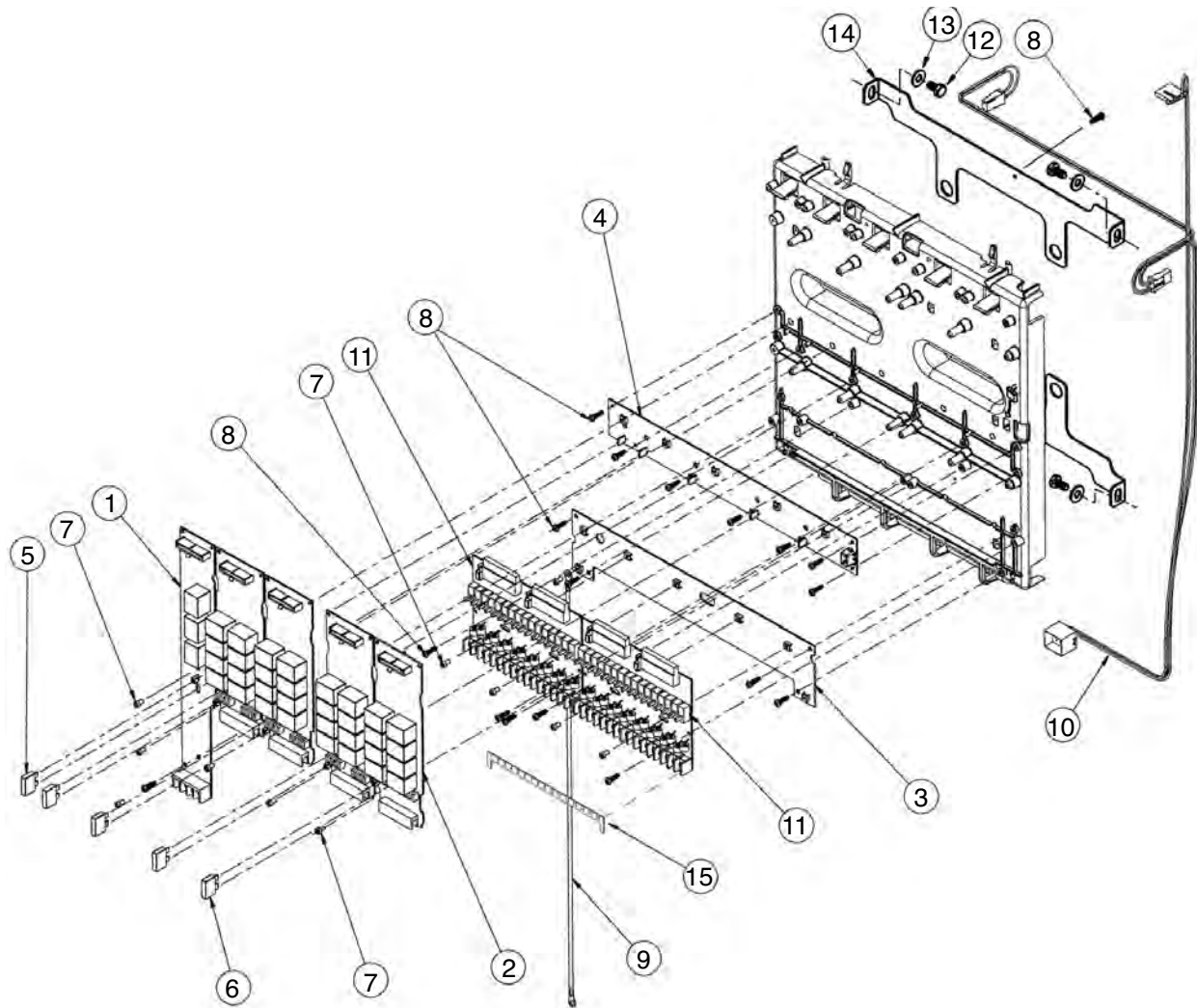


Network VP Satellite – Internal Components



| Item No. | Part No. | Description | Quantity Per Assy. |
|----------|------------|--|--------------------|
| 1 | 102-3015SK | Pump/Common Module Assy. (Includes Items 5, 7 & 102-0670 Ribbon Cable) | 1 |
| 2 | *102-0654 | Output Module Assy., 8-Station (Includes Items 6, 7 & 102-0670 Ribbon Cable) | ** |
| 3 | 102-0652 | Ground Bus Bar PCB Assy., Service (Includes Item 8) | 1 |
| 4 | 102-0653 | 24 V a.c. Bus Bar PCB Assy., Service (Includes Item 8) | 1 |
| 5 | 102-0658 | Fuse, 1.0 Amp, Fast-blow, Service (5-pack) | 1 |
| 6 | 102-0657 | Fuse, 3.0 Amp, Fast-blow, Service (5-pack) | 4 |
| 7 | 102-0671 | Screw, Machine, 6-32 x 1/4" | 11 |
| 8 | 363-1355 | Screw, #6, Self-Taping | 20 |
| 9 | 102-0685 | Wire Harness Assy., Grounding | 1 |
| 10 | 102-0686 | Wire Harness Assy., Power Supply | 1 |
| N/I | *102-0638 | 8-Station Terminal Block (M0 Surge Level) | ** |
| 11 | *102-0639 | 16-Station Module Assy. (M1 Surge Upgrade) (Includes Items 7 & 8) | ** |
| 11 | *102-0640 | 16-Station Module Assy. (M2 Surge Upgrade) (Includes Items 7 & 8) | ** |
| 11 | *102-0641 | 16-Station Module Assy. (M3 Surge Upgrade) (Includes Items 7 & 8) | ** |
| 11 | *102-0642 | 16-Station Module Assy. (M4 Surge Upgrade) (Includes Items 7 & 8) | ** |
| 12 | 360-0595 | Screw, Machine, 1/4-20 x 1/2" | 4 |
| 13 | 360-0140 | Washer, Flat, 1/4" | 4 |
| 14 | ----- | Bracket, Mount Backplate | 2 |
| 15 | 102-4586 | Plastic Cover, Switches | ** |
| 16 | 102-5940SK | Kit, Station Labels, Numbered, Plastic | ** |
| | | * Order Through Finished Goods Distribution System—Minneapolis | |
| | | ** Quantity Varies With Model | |

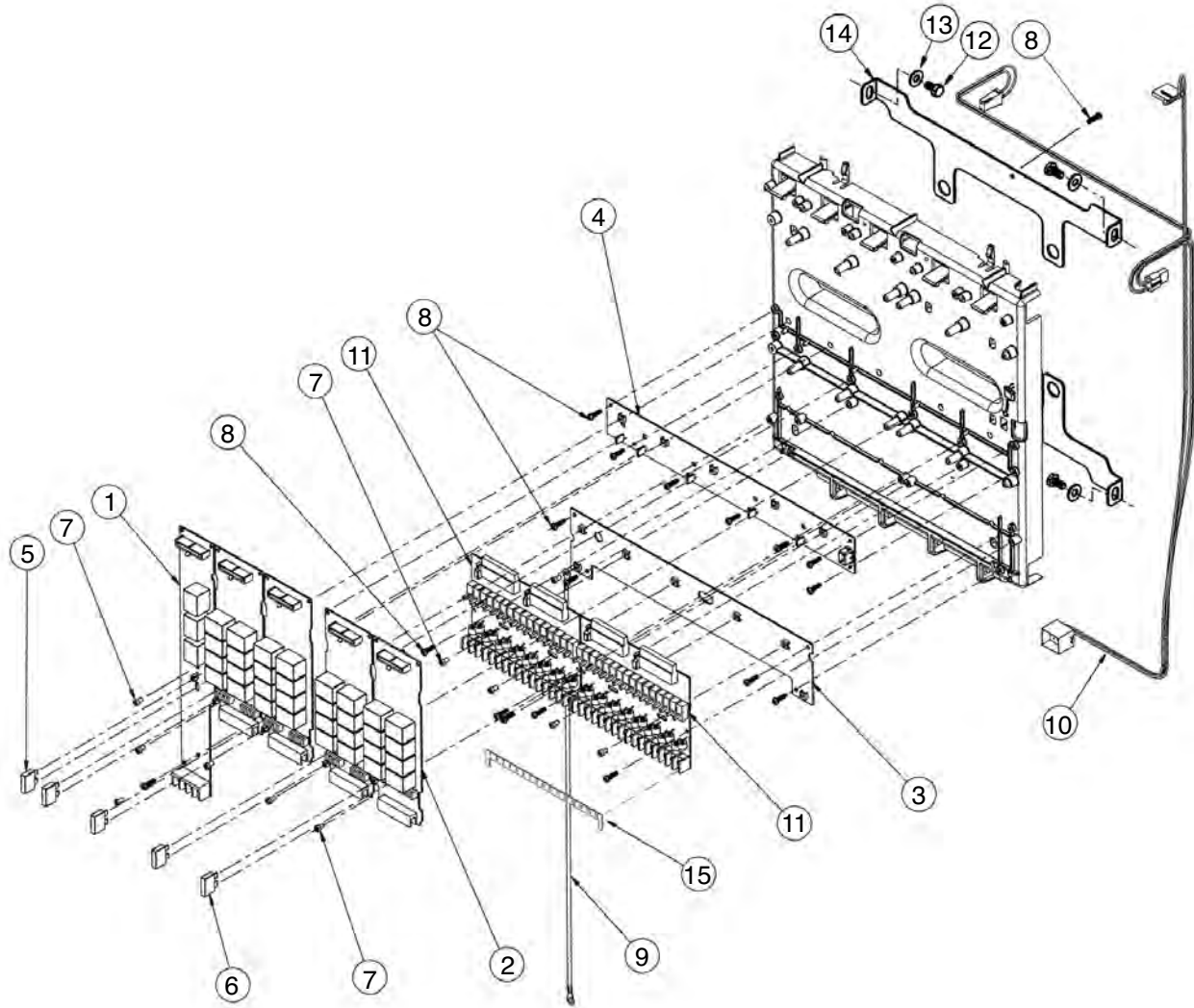
E-Series OSMAC Satellite, Narrow-band, Field Interface Components (Sheet 3 of 3)



| Item No. | Part No. | Description | Quantity Per Assy. |
|----------|------------|--|--------------------|
| 1 | *102-0669 | Pump/Common Module Assy. (Includes Items 5, 7 & 102-0670 Ribbon Cable) | 1 |
| 2 | *102-0654 | Output Module Assy., 8-Station (Includes Items 6, 7 & 102-0670 Ribbon Cable) | ** |
| 3 | 102-0652 | Ground Bus Bar PCB Assy., Service (Includes Item 8) | 1 |
| 4 | 102-0653 | 24 V a.c. Bus Bar PCB Assy., Service (Includes Item 8) | 1 |
| 5 | 102-0658 | Fuse, 1.0 Amp, Fast-blow, Service (5-pack) | 1 |
| 6 | 102-0657 | Fuse, 3.0 Amp, Fast-blow, Service (5-pack) | 4 |
| 7 | 102-0671 | Screw, Machine, 6-32 x 1/4" | 11 |
| 8 | 363-1355 | Screw, #6, Self-Taping | 20 |
| 9 | 102-0685 | Wire Harness Assy., Grounding | 1 |
| 10 | 102-0686 | Wire Harness Assy., Power Supply | 1 |
| N/I | *102-0638 | 8-Station Terminal Block (M0 Surge Level) | ** |
| 11 | *102-0639 | 16-Station Module Assy. (M1 Surge Upgrade) (Includes Items 7 & 8) | ** |
| 11 | *102-0640 | 16-Station Module Assy. (M2 Surge Upgrade) (Includes Items 7 & 8) | ** |
| 11 | *102-0641 | 16-Station Module Assy. (M3 Surge Upgrade) (Includes Items 7 & 8) | ** |
| 11 | *102-0642 | 16-Station Module Assy. (M4 Surge Upgrade) (Includes Items 7 & 8) | ** |
| 12 | 360-0595 | Screw, Machine, 1/4-20 x 1/2" | 4 |
| 13 | 360-0140 | Washer, Flat, 1/4" | 4 |
| 14 | ----- | Bracket, Mount Backplate | 2 |
| 15 | 102-5940SK | Kit, Station Labels, Numbered, Plastic | ** |

* Order Through Finished Goods Distribution System—Minneapolis
 ** Quantity Varies With Model

E-Series OSMAC Satellite, Wide-band, Field Interface Components (Sheet 3 of 3)



| Item No. | Part No. | Description | Quantity Per Assy. |
|----------|------------|--|--------------------|
| 1 | *102-0669 | Pump/Common Module Assy. (Includes Items 5, 7 & 102-0670 Ribbon Cable) | 1 |
| 2 | *102-0654 | Output Module Assy., 8-Station (Includes Items 6, 7 & 102-0670 Ribbon Cable) | ** |
| 3 | 102-0652 | Bus Bar, PCB Assy., Ground, Service (Includes Item 8) | 1 |
| 4 | 102-0653 | Bus Bar PCB Assy., 24 V a.c, Service (Includes Item 8) | 1 |
| 5 | 102-0658 | Fuse, 1.0 Amp, Fast-blow, Service (5-pack) | 1 |
| 6 | 102-0657 | Fuse, 3.0 Amp, Fast-blow, Service (5-pack) | 4 |
| 7 | 102-0671 | Screw, Machine, #6-32 x 1/4" | 11 |
| 8 | 363-1355 | Screw, #6, Self-taping | 20 |
| 9 | 102-0685 | Wire Harness Assy., Grounding | 1 |
| 10 | 102-0686 | Wire Harness Assy., Power Supply | 1 |
| N/I | *102-0638 | 8-Station Terminal Block (M0 Surge Level) | ** |
| 11 | *102-0639 | 16-Station Module Assy.(M1 Surge Upgrade) (Includes Items 7 & 8) | ** |
| 11 | *102-0640 | 16-Station Module Assy.(M2 Surge Upgrade) (Includes Items 7 & 8) | ** |
| 11 | *102-0641 | 16-Station Module Assy.(M3 Surge Upgrade) (Includes Items 7 & 8) | ** |
| 11 | *102-0642 | 16-Station Module Assy.(M4 Surge Upgrade) (Includes Items 7 & 8) | ** |
| 12 | 360-0595 | Screw, Machine, 1/4-20 x 1/2" | 4 |
| 13 | 360-0140 | Washer, Flat, 1/4" | 4 |
| 14 | ----- | Bracket, Mount Backplate | 2 |
| 15 | 102-5940SK | Kit, Station Labels, Numbered, Plastic | ** |
| | | * Order Through Finished Goods Distribution System—Minneapolis | |
| | | **Quantity Varies With Model | |