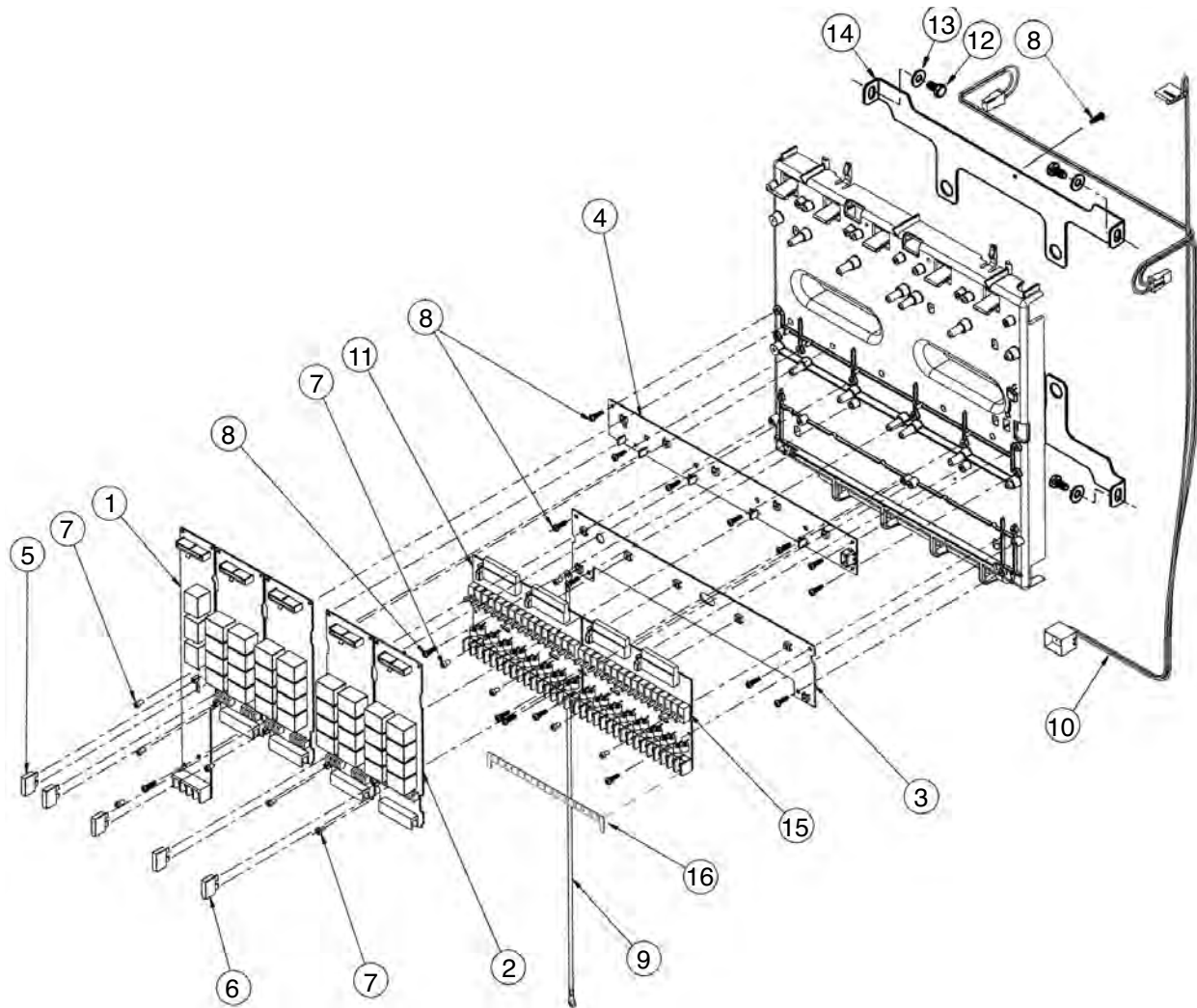


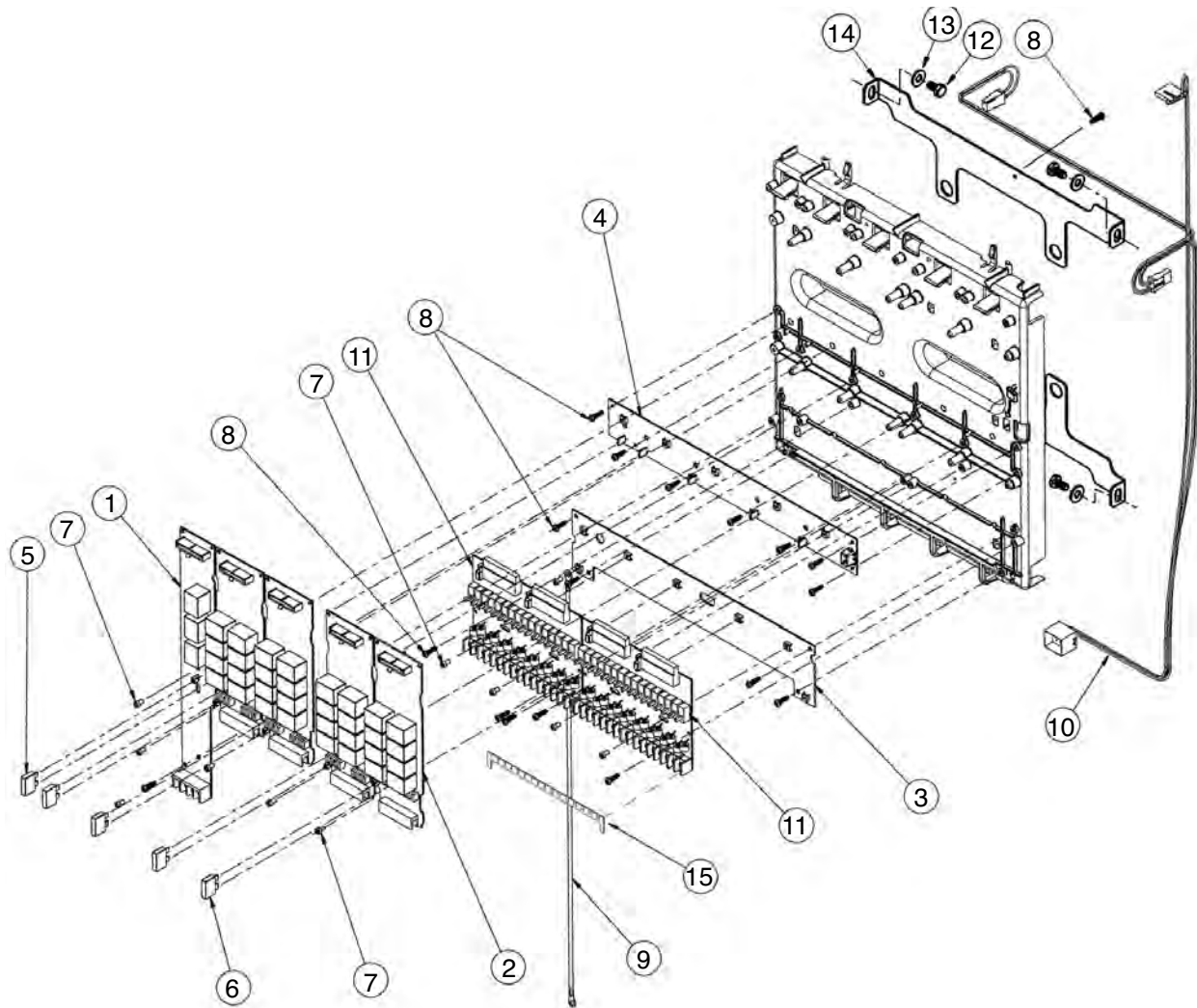
## Network VP Satellite – Internal Components



Item No.	Part No.	Description	Quantity Per Assy.
1	102-3015SK	Pump/Common Module Assy. (Includes Items 5, 7 & 102-0670 Ribbon Cable)	1
2	*102-0654	Output Module Assy., 8-Station (Includes Items 6, 7 & 102-0670 Ribbon Cable)	**
3	102-0652	Ground Bus Bar PCB Assy., Service (Includes Item 8)	1
4	102-0653	24 V a.c. Bus Bar PCB Assy., Service (Includes Item 8)	1
5	102-0658	Fuse, 1.0 Amp, Fast-blow, Service (5-pack)	1
6	102-0657	Fuse, 3.0 Amp, Fast-blow, Service (5-pack)	4
7	102-0671	Screw, Machine, 6-32 x 1/4"	11
8	363-1355	Screw, #6, Self-Taping	20
9	102-0685	Wire Harness Assy., Grounding	1
10	102-0686	Wire Harness Assy., Power Supply	1
N/I	*102-0638	8-Station Terminal Block (M0 Surge Level)	**
11	*102-0639	16-Station Module Assy. (M1 Surge Upgrade) (Includes Items 7 & 8)	**
11	*102-0640	16-Station Module Assy. (M2 Surge Upgrade) (Includes Items 7 & 8)	**
11	*102-0641	16-Station Module Assy. (M3 Surge Upgrade) (Includes Items 7 & 8)	**
11	*102-0642	16-Station Module Assy. (M4 Surge Upgrade) (Includes Items 7 & 8)	**
12	360-0595	Screw, Machine, 1/4-20 x 1/2"	4
13	360-0140	Washer, Flat, 1/4"	4
14	-----	Bracket, Mount Backplate	2
15	102-4586	Plastic Cover, Switches	**
16	102-5940SK	Kit, Station Labels, Numbered, Plastic	**

\* Order Through Finished Goods Distribution System—Minneapolis  
 \*\* Quantity Varies With Model

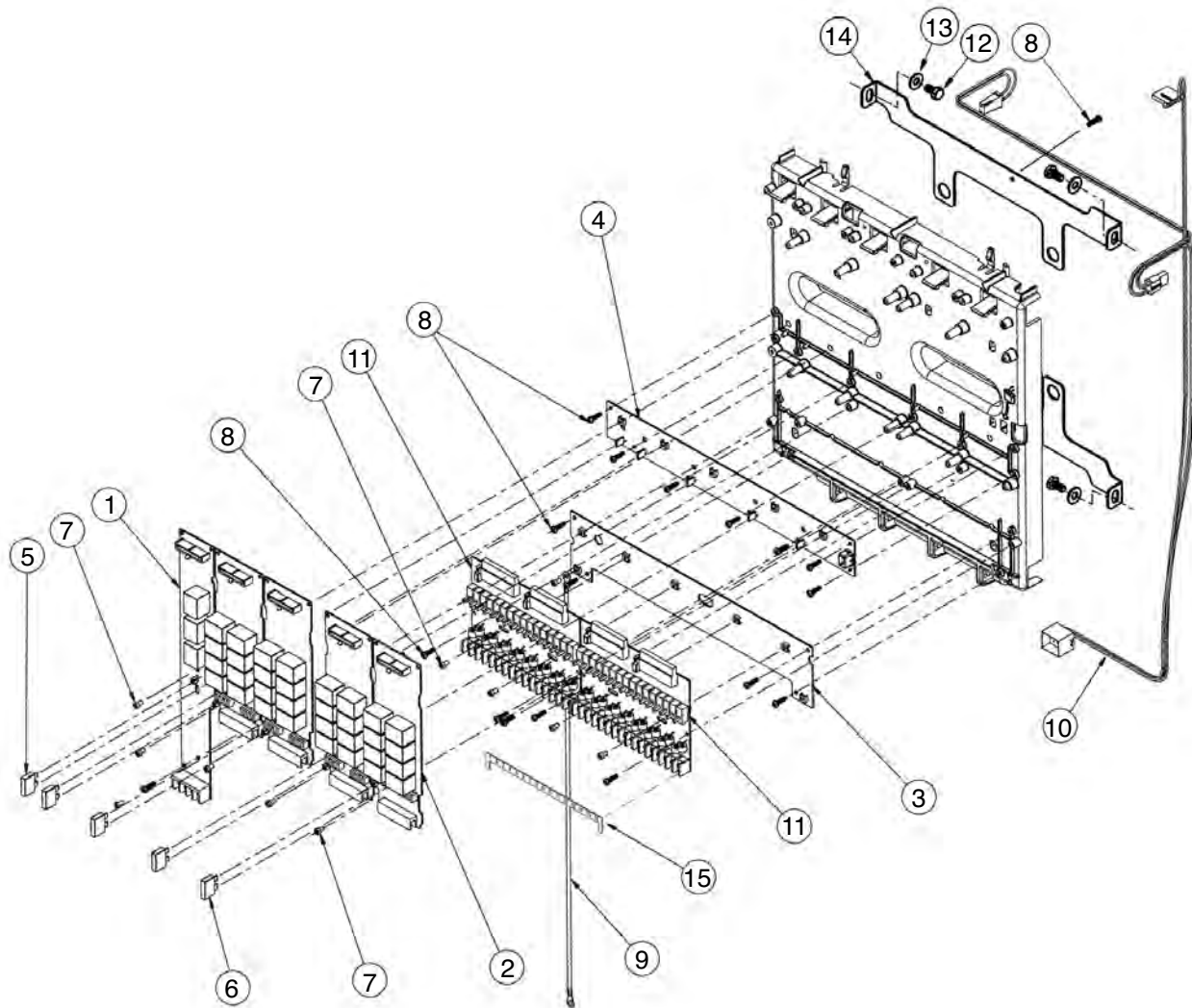
# E-Series OSMAC Satellite, Narrow-band, Field Interface Components (Sheet 3 of 3)



Item No.	Part No.	Description	Quantity Per Assy.
1	*102-0669	Pump/Common Module Assy. (Includes Items 5, 7 & 102-0670 Ribbon Cable)	1
2	*102-0654	Output Module Assy., 8-Station (Includes Items 6, 7 & 102-0670 Ribbon Cable)	**
3	102-0652	Ground Bus Bar PCB Assy., Service (Includes Item 8)	1
4	102-0653	24 V a.c. Bus Bar PCB Assy., Service (Includes Item 8)	1
5	102-0658	Fuse, 1.0 Amp, Fast-blow, Service (5-pack)	1
6	102-0657	Fuse, 3.0 Amp, Fast-blow, Service (5-pack)	4
7	102-0671	Screw, Machine, 6-32 x 1/4"	11
8	363-1355	Screw, #6, Self-Taping	20
9	102-0685	Wire Harness Assy., Grounding	1
10	102-0686	Wire Harness Assy., Power Supply	1
N/I	*102-0638	8-Station Terminal Block (M0 Surge Level)	**
11	*102-0639	16-Station Module Assy. (M1 Surge Upgrade) (Includes Items 7 & 8)	**
11	*102-0640	16-Station Module Assy. (M2 Surge Upgrade) (Includes Items 7 & 8)	**
11	*102-0641	16-Station Module Assy. (M3 Surge Upgrade) (Includes Items 7 & 8)	**
11	*102-0642	16-Station Module Assy. (M4 Surge Upgrade) (Includes Items 7 & 8)	**
12	360-0595	Screw, Machine, 1/4-20 x 1/2"	4
13	360-0140	Washer, Flat, 1/4"	4
14	-----	Bracket, Mount Backplate	2
15	102-5940SK	Kit, Station Labels, Numbered, Plastic	**

\* Order Through Finished Goods Distribution System—Minneapolis  
 \*\* Quantity Varies With Model

# E-Series OSMAC Satellite, Wide-band, Field Interface Components (Sheet 3 of 3)



Item No.	Part No.	Description	Quantity Per Assy.
1	*102-0669	Pump/Common Module Assy. (Includes Items 5, 7 & 102-0670 Ribbon Cable)	1
2	*102-0654	Output Module Assy., 8-Station (Includes Items 6, 7 & 102-0670 Ribbon Cable)	**
3	102-0652	Bus Bar, PCB Assy., Ground, Service (Includes Item 8)	1
4	102-0653	Bus Bar PCB Assy., 24 V a.c, Service (Includes Item 8)	1
5	102-0658	Fuse, 1.0 Amp, Fast-blow, Service (5-pack)	1
6	102-0657	Fuse, 3.0 Amp, Fast-blow, Service (5-pack)	4
7	102-0671	Screw, Machine, #6-32 x 1/4"	11
8	363-1355	Screw, #6, Self-taping	20
9	102-0685	Wire Harness Assy., Grounding	1
10	102-0686	Wire Harness Assy., Power Supply	1
N/I	*102-0638	8-Station Terminal Block (M0 Surge Level)	**
11	*102-0639	16-Station Module Assy.(M1 Surge Upgrade) (Includes Items 7 & 8)	**
11	*102-0640	16-Station Module Assy.(M2 Surge Upgrade) (Includes Items 7 & 8)	**
11	*102-0641	16-Station Module Assy.(M3 Surge Upgrade) (Includes Items 7 & 8)	**
11	*102-0642	16-Station Module Assy.(M4 Surge Upgrade) (Includes Items 7 & 8)	**
12	360-0595	Screw, Machine, 1/4-20 x 1/2"	4
13	360-0140	Washer, Flat, 1/4"	4
14	-----	Bracket, Mount Backplate	2
15	102-5940SK	Kit, Station Labels, Numbered, Plastic	**
		* Order Through Finished Goods Distribution System—Minneapolis	
		**Quantity Varies With Model	