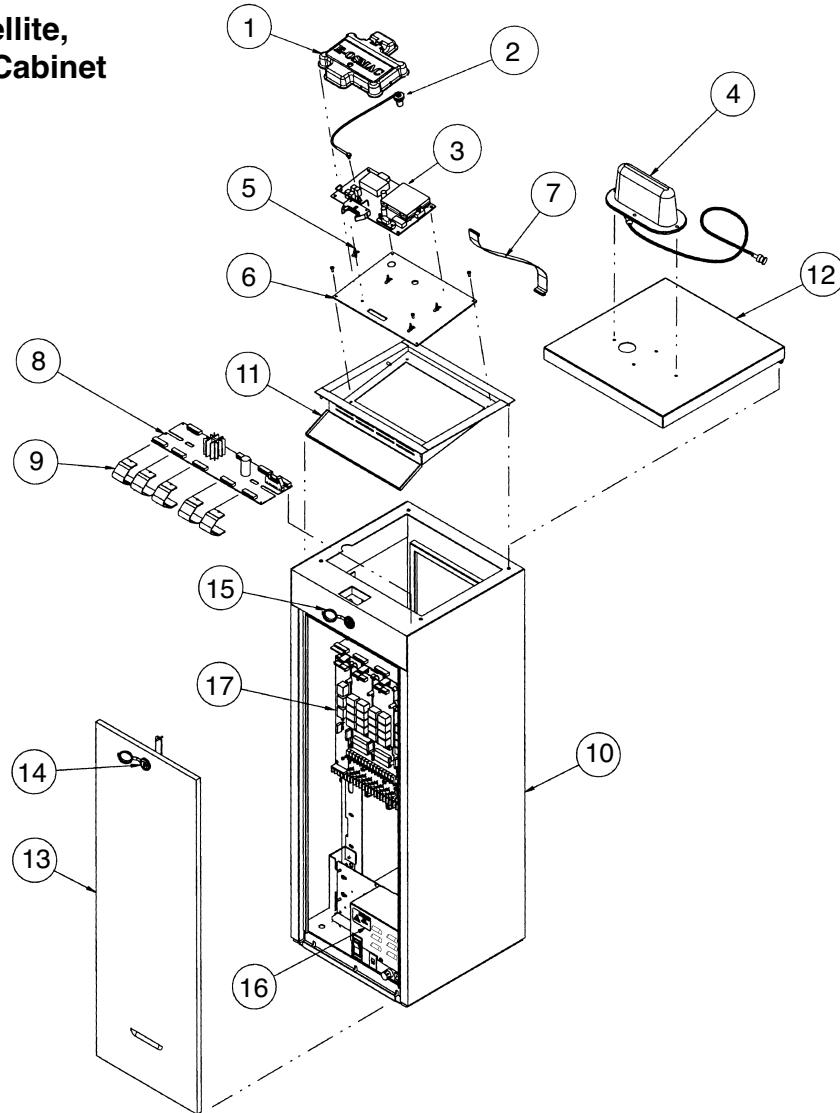
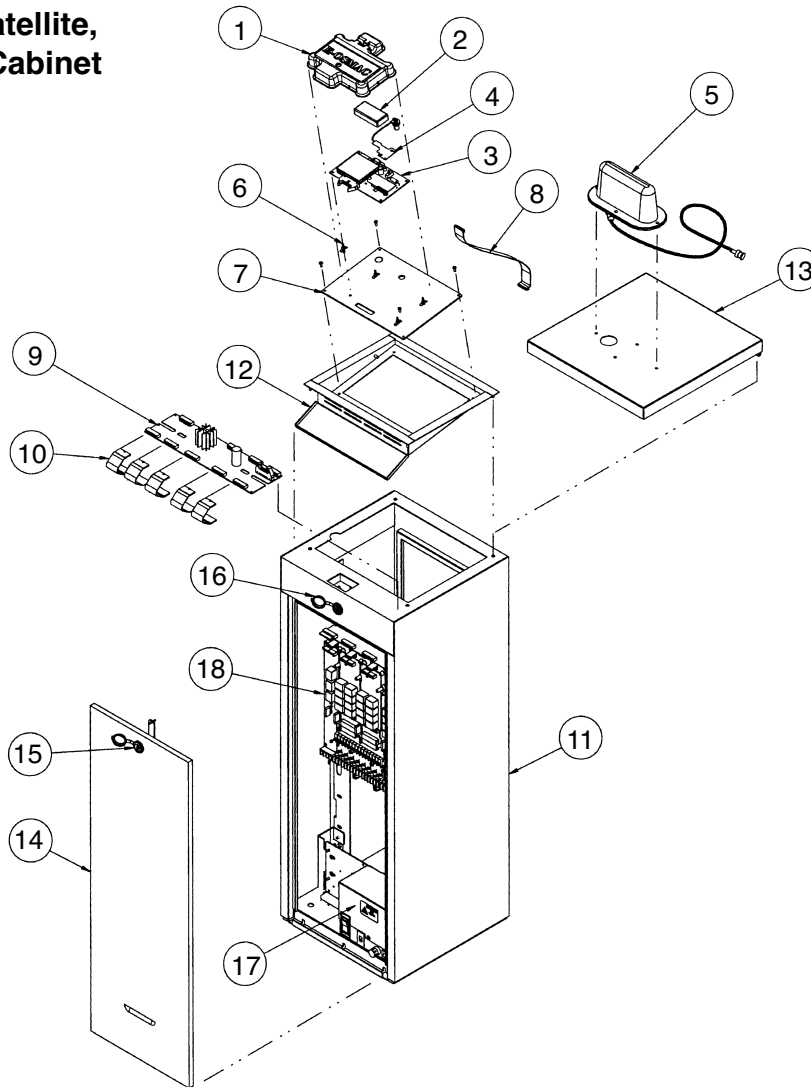


**E-Series OSMAC Satellite,  
Narrow-band - Metal Cabinet  
(Sheet 2 of 3)**



Item No.	Part No.	Description	Quantity Per Assy.
1	102-0662	Cover, Decoder Module Assy.	1
2	102-1204	Cable, Antenna, External, Narrow-band Decoder	1
3	*102-1203	Narrow-band Decoder Module for Metal Cabinet	1
4	102-0663	UHF Dome Style Antenna Assy., 450-475 MHz w/Cable	1
5	363-3946	Standoffs, Plastic, Locking	4
6	102-0661	Faceplate, Decoder Mounting	1
7	102-0659	Ribbon Cable (Decoder Module to Distribution Module)	1
8	*102-0672	Distribution Board, Output, Parallel	1
9	102-0670	Ribbon Cable (Distribution Board to Output Module) ** (Quantity Varies With Model)	**
10	-----	Base, Pedestal, SST w/Lock Assy. (See Service Item 102-0702)	1
11	-----	Mounting Plate, TM (See Service Item 102-0684)	1
12	-----	Lid Assy., Pedestal, SST (See Service Item 102-0703)	1
13	-----	Door, Pedestal, SST, w/Lock Assy., (See Service Item 102-0704)	2
14	-----	Lock Assy., Door, (See Service Item 102-0714)	2
15	-----	Lock Assy., Pedestal Base (See Service Item 102-0705)	1
16	102-0645	Power Supply Assy. (See p. 253 for Parts Listing)	1
17	-----	Field Interface Components (See p. 256 for Parts Listing)	-
		<b>SERVICE ITEMS</b>	
	102-0684	Mounting Plate, TM, Service (Includes Item 11)	1
	102-0714	Lock Assy., Door, w/Keys & Cover, Service (Includes Item 14)	
	102-0705	Lock Assy., Pedestal Base, w/Keys & Cover, Service (Includes item 15)	
	102-0702	Base, Pedestal, SST w/Lock Assy., Service (Includes Items 10 & 15)	
	102-0696	Pedestal Assy., Service (Includes Items 10-15)	
	102-0703	Lid Assy., Pedestal, SST, Service (Includes Item 12)	
	102-0704	Door, Pedestal, SST, w/Lock Assy., Service, (Includes Item 14)	
	102-2605	Antenna Kit, Narrow Band	
		* Order Through Finished Goods Distribution System—Minneapolis	

**E-Series OSMAC Satellite,  
Wide-band - Metal Cabinet  
(Sheet 2 of 3)**



Item No.	Part No.	Description	Quantity Per Assy.
1	102-2624	Cover, Decoder Module Assy., Service	1
2	*N1551	Receiver Module	1
3	*102-0660	Receiver/Decoder Module Assy. (Includes Item 6)	1
4	*102-0656	Antenna PCB Assy.	1
5	102-0663	UHF Dome Style Antenna Assy., 450–475 MHz, Service, w/Cable	1
6	363-3946	Standoffs, Plastic, Locking	4
7	102-0661	Faceplate, Decoder Mounting	1
8	*102-0659	Ribbon Cable (Decoder Module to Distribution Module)	1
9	*102-0672	Distribution Board, Output, Parallel	1
10	*102-0670	Ribbon Cable (Distribution Board to Output Module)      ** (Quantity Varies w/Model)	**
11	-----	Base, Pedestal, SST w/Lock Assy. (See Service Item 102-0702)	1
12	-----	Mounting Plate, TM (See Service Item 102-0684)	1
13	-----	Lid Assy., Pedestal, SST (See Service Item 102-0703)	1
14	-----	Door, Pedestal, SST, w/Lock Assy. (See Service Item 102-0704)	2
15	-----	Lock Assy., Door, (See Service Item 102-0714)	2
16	-----	Lock Assy., Pedestal Base (See Service Item 102-0705)	1
17	102-0645	Power Supply Assy. (See p. 253 for Parts Listing)	1
18	-----	Field Interface Components (See p. 259 for Parts Listing)	—
		<b>SERVICE ITEMS</b>	
	102-0684	Mounting Plate, TM, Service (Includes Item 12)	1
	102-0714	Lock Assy., Door, w/Keys & Cover, Service (Includes Item 15)	
	102-0705	Lock Assy., Pedestal Base, w/Keys & Cover, Service (Includes item 16)	
	102-0702	Base, Pedestal, SST w/Lock Assy., Service (Includes Items 11 & 16)	
	102-0696	Pedestal Assy., Service (Includes Items 11–16)	
	102-0703	Lid Assy., Pedestal, SST, Service (Includes Item 13)	
	102-0704	Door, Pedestal, SST, w/Lock Assy., Service, (Includes Item 15)	
		* Order Through Finished Goods Distribution System—Minneapolis	