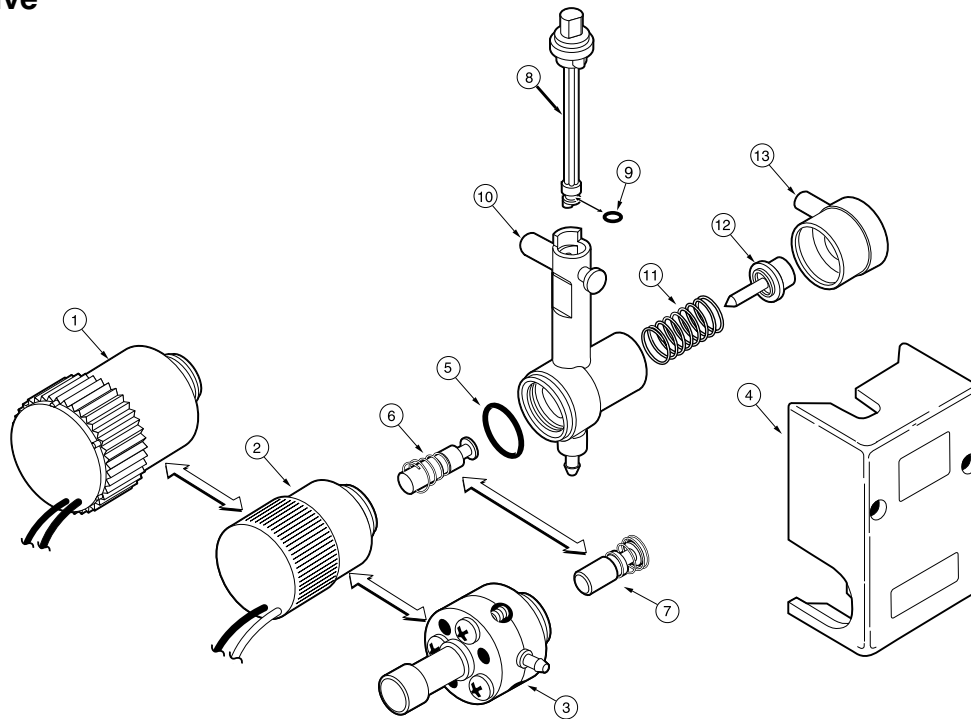


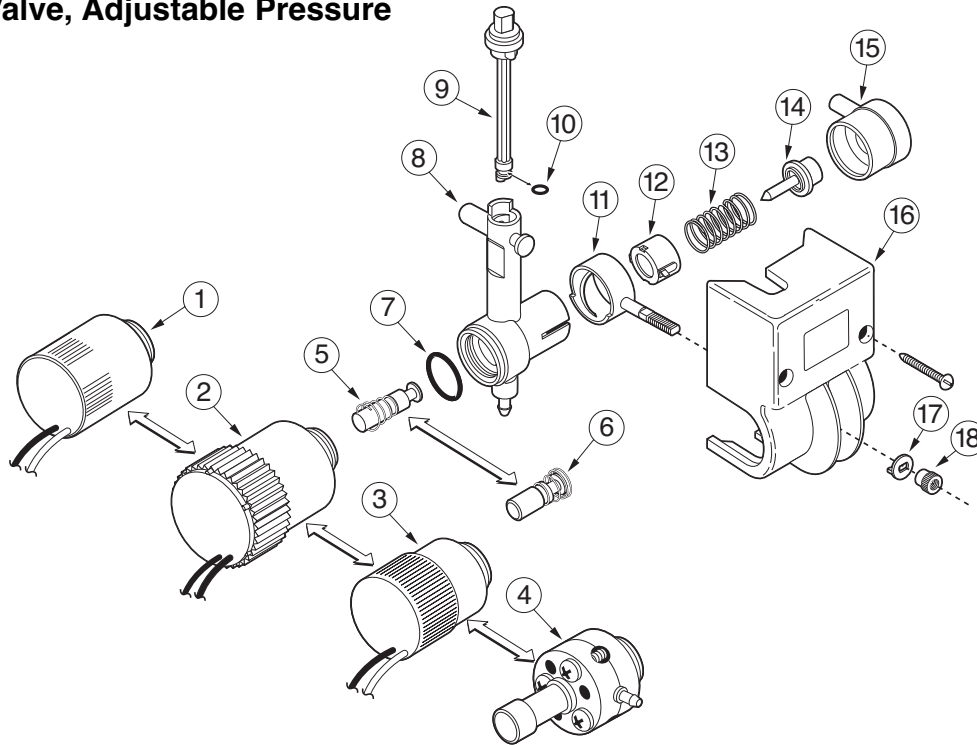
Pilot Valve



Item No.	Part No.	Description	Quantity Per Assy.
1	102-6316	Solenoid, Low Wattage, w/Surge Protection (Black Wires)	1
1	102-6318	Solenoid, Low Wattage, w/Surge Protection, Nickel PLated (Red Wires)	1
1	102-2709	Solenoid, Low Wattage, 2-Wire Dec., w/Surge Protection (Red w/ Wht. & Blk wires)	1
2	118-0248	Solenoid, 600/700 Series (Red & Black Wires)	1
3	89-6005	Adapter, Pilot Valve, NC	1
4	89-0001	Housing, Pilot Valve	1
5	360-0220	O-Ring, 0.070" x 0.551" x 0.691"	1
6	102-2110	Plunger Assy., EL, Saltwater Tolerant	1
6	102-7690	Plunger Assy., EL	1
7	89-6003	Plunger Assy., NC	1
8	102-0343	Selector Cam, Black (Includes Item 9)	1
9	1-2035	O-Ring, 0.070" x 0.114" x 0.254"	1
10	102-7723	Body Assy., Pilot Valve (Cross-reference with New Pilot Valve Assy. w/o Solenoid)	1
11	35-9970	Spring, 50 psi, Black	1
11	35-9971	Spring, 65 psi, Green	1
11	35-9972	Spring, 80 psi, Red	1
11	35-9973	Spring, 100 psi, Blue	1
12	89-0029	Piston	1
13	89-0005	Diaphragm Assy.	1

See Pilot Valve Assemblies with Adjustable Pressure.

Pilot Valve, Adjustable Pressure



Item No.	Part No.	Description	Quantity Per Assy.
1	102-2709	Solenoid, DC Latching, 2-Wire Decoder (Red w/White Stripe and Black Wires)	1
2	102-6316	Solenoid, Low Wattage, w/Surge Protection (Black Wires)	1
2	102-6318	Solenoid, Low Wattage, w/Surge Protection Nickel Plated (Red Wires)	1
2	102-4979	Solenoid, 3-Wire Decoder, w/Surge Protection (Yellow Wires)	1
3	118-0248	Solenoid, DT Series, 600/700 Series (Red and Black Wires)	1
4	89-6005	Adapter, Pilot Valve, NC	1
5	102-2110	Plunger Assy., EL, Nickel Plated	1
5	102-7690	Plunger Assy., EL	1
6	89-6003	Plunger Assy., NC	1
7	360-0220	O-Ring, 0.070" x 0.551" x 0.254"	1
8	102-4747	Body Assy., Pilot Valve	1
9	102-0343	Selector Cam, Black (Includes item 10)	1
9	102-4831	Selector Cam, Red (Includes item 10)	1
10	1-2035	O-Ring, 0.070" x 0.114" x 0.254"	1
11	102-2237	Adjuster, PSI	1
12	102-2236	Traveling Nut	1
13	102-2235	Spring	1
14	102-2469	Piston	1
15	102-2473	Diaphragm Assy.	1
16	102-2238	Housing, Pilot Valve	1
17	102-2606	Adjustment Locator	1
18	363-4441	Nut, Adjuster	1
		SERVICE ITEMS	
	102-5975	Pilot Valve Assy., Selectable Pressure Less Solenoid, Use w/All Electric Pilot Valve except Nickel Plated (Includes Items 5[102-7690] & 7-18)	
	102-5974	Pilot Valve Assy., Selectable Pressure w/Low Watt/High Surge Solenoid 800S Series (Includes Items 2[102-3443], 5[102-7690] & 7-18)	
	102-5178	Pilot Valve Assy., Selectable Pressure w/Standard Watt & Surge Solenoid, 600/700 Series (Includes Items 3, 5[102-7690] & 7-18)	
	102-5181	Pilot Valve Assy., Selectable Pressure w/Normally Closed Actuator (Includes Items 4 & 6-18)	
	102-5976	Pilot Valve Assy., Selectable Pressure w/Low Watt/High Surge Nickel Plated (Includes Items 2[102-0312], 5[102-2110] & 7-18)	
	102-5977	Pilot Valve Assy., Selectable Pressure w/Standard Watt/High Surge, 3-Wire Decoder (Includes Items 2[102-4979], 5[102-7690] & 7-18)	
	102-6533	Pilot Valve Assy., Selectable Pressure w/DC Latching Solenoid, 2-Wire Decoder (Includes Items 1, 5 [102-7690] & 7-18)	