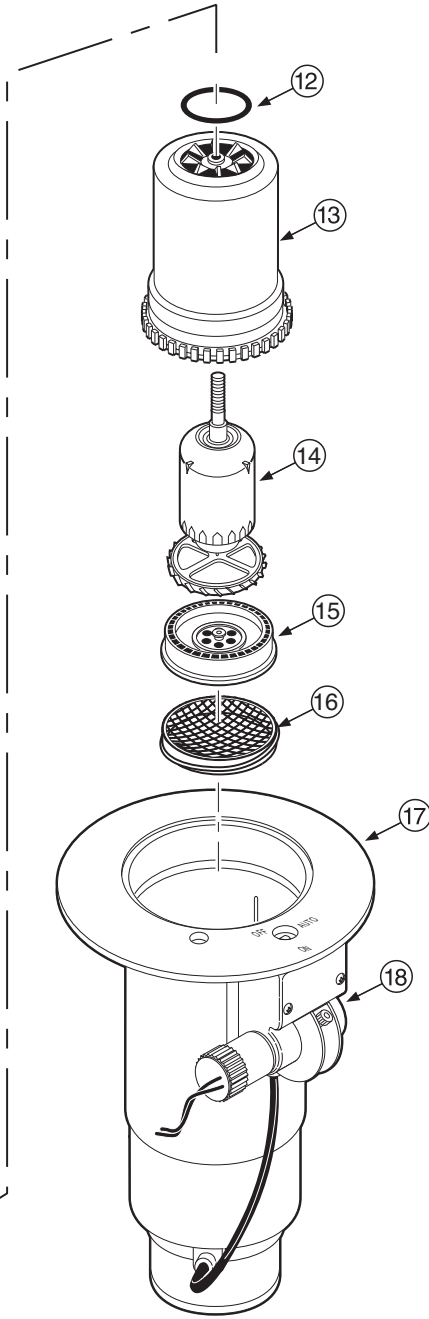
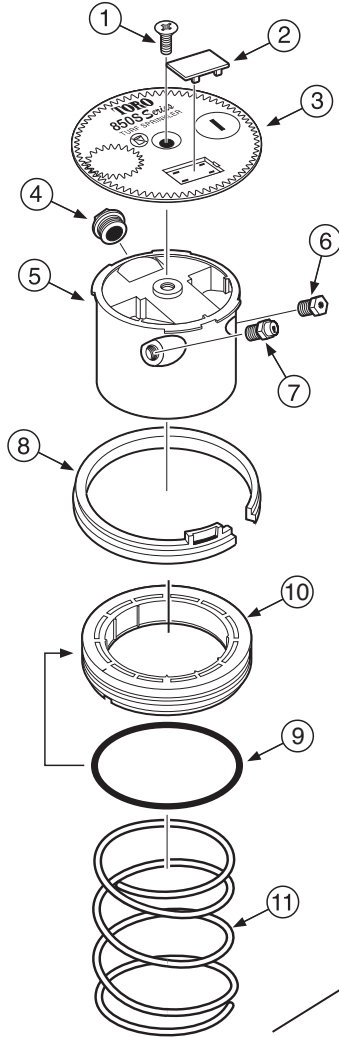
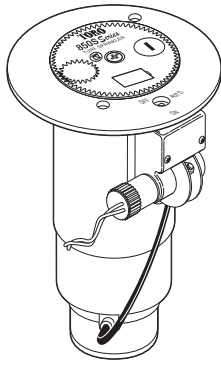


854S Series Sprinkler, Pre-August 2007



Model Number Information

854S-XX-5XX-X

Arc	Body Threads	Valve	Nozzle	Pressure Regulation*	E = Effluent DL = Decoder N = Nickel Plated
4 = Full-circle	0 = NPT 4 = ACME 5 = BSP	1 = NO Valve-In-Head 2 = Check-O-Matic 6 = Electric Valve-In-Head	1 (Yellow) 2 (Blue) 3 (Brown) 4 (Orange) 5 (Green) 6 (Gray) 7 (Black) 8 (Red) 9 (Beige)	6 = 65 PS 8 = 80 PSI 1 = 100 PSI	

* Pressure Regulation available on Electric VIH models only.

Note: For detailed model number availability and ordering information, refer to the Golf Finished Goods Price List (form no. 490-2844).

