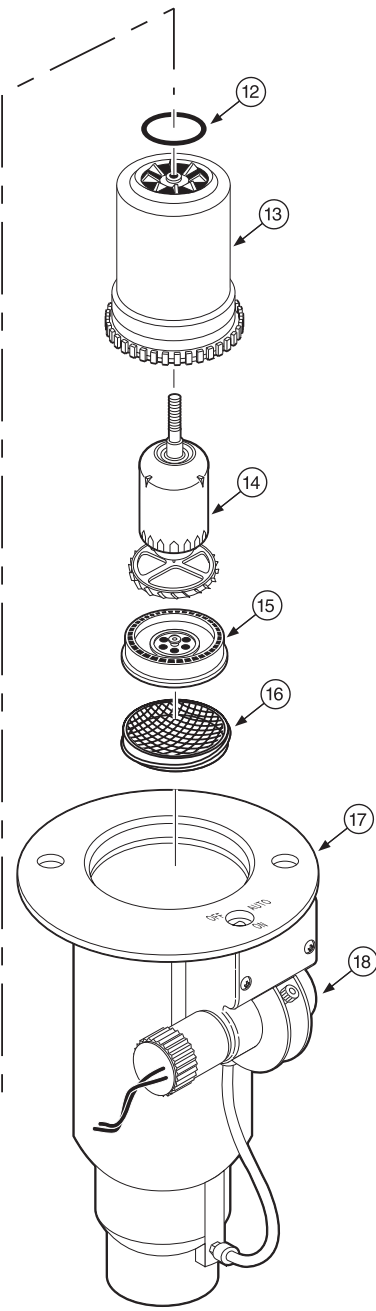
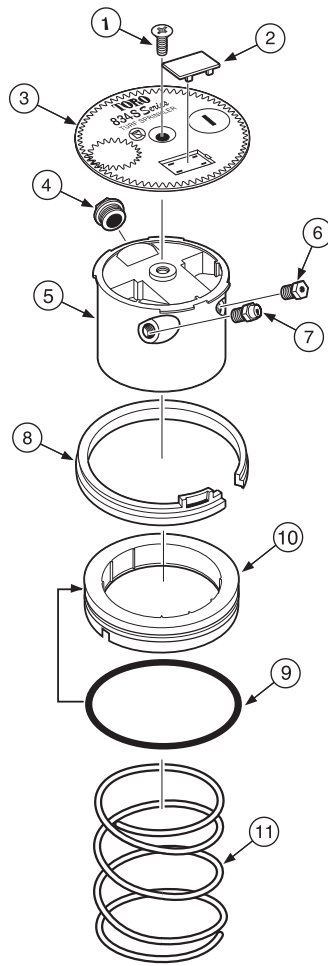
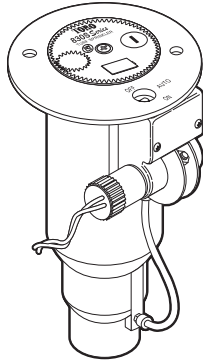


834S Series Sprinkler, Pre-August 2007



Model Number Information

834S-XX-3XX-X

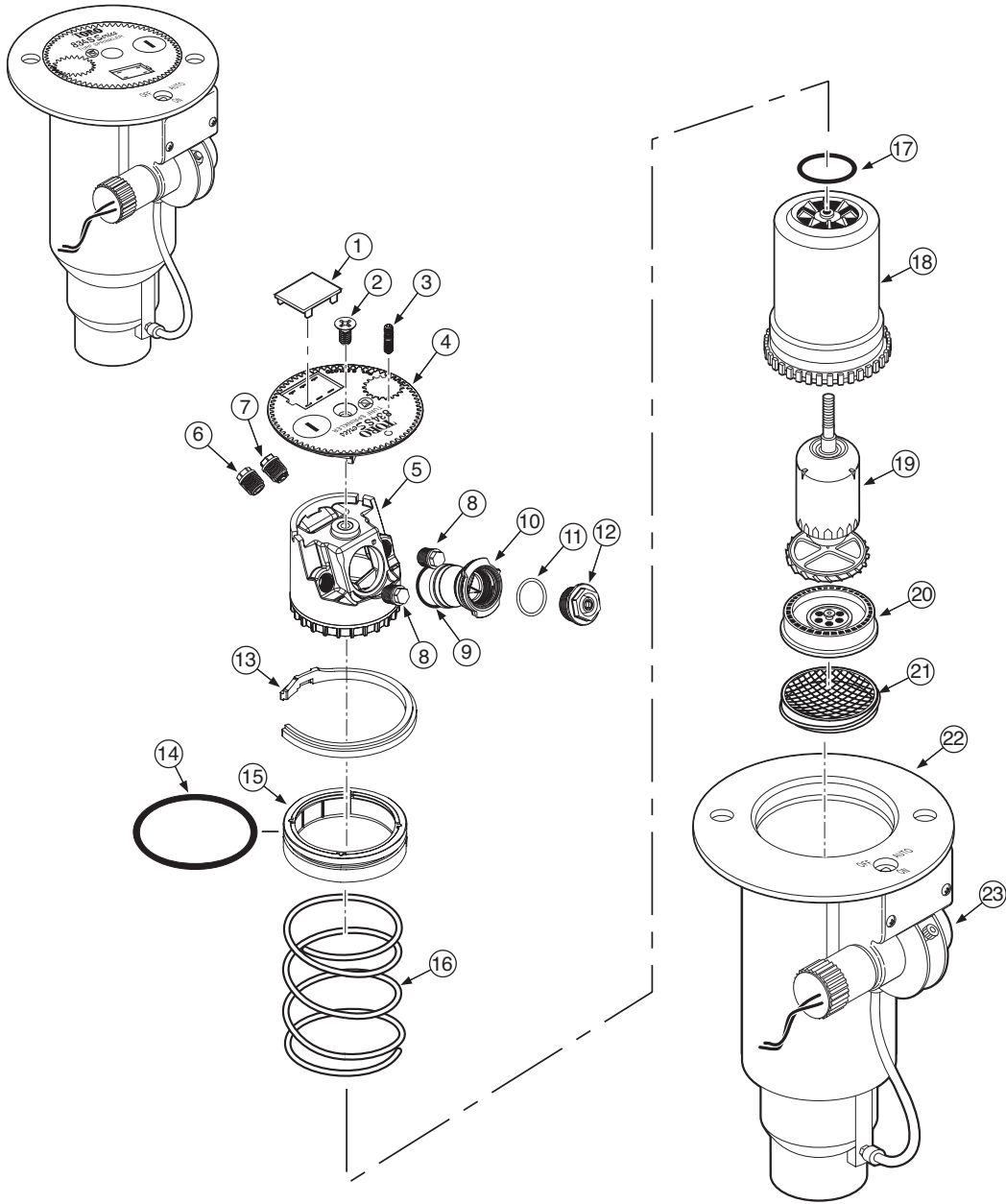
Arc	Body Threads	Valve	Nozzle	Pressure Regulation*	E = Effluent DL = Decoder N = Nickel Plated
4 = Full-circle	0 = NPT 4 = ACME 5 = BSP	1 = NO Valve-In-Head 2 = Check-O-Matic 6 = Electric Valve-In-Head	1 (Yellow) 2 (Blue) 3 (Brown) 4 (Orange) 5 (Green) 6 (Gray) 7 (Black)	6 = 65 PSI 8 = 80 PSI 1 = 100 PS	

Note: For detailed model number availability and ordering information, refer to the Golf Finished Goods Price List (form no. 490-2844).

* Pressure Regulation available on Electric VIH models only.

Item No.	Part No.	Description	Quantity Per Assy.
1	102-0362	Screw, Cap	1
2	89-1589	Plug, Cap	1
3	102-0230	Cap, 834S	1
3	102-1703	Cap, 834S, Effluent	1
4	102-0725	Nozzle, Main, #1 (Yellow)	1
4	102-0726	Nozzle, Main, #2 (Blue)	1
4	102-0727	Nozzle, Main, #3 (Brown)	1
4	102-0728	Nozzle, Main, #4 (Orange)	1
4	102-0729	Nozzle, Main, #5 (Green)	1
4	102-0730	Nozzle, Main, #6 (Gray)	1
4	102-4261	Nozzle, Main, #7 (Black)	1
5	102-7406	Nozzle Base Kit, Dual Trajectory (Includes Items 1–5, 7–10 on 834S Present Model)	1
6	102-2105	Nozzle Assy. Intermediate, Blue (Used with #1 Yellow & #2 Blue Main Nozzles)	1
6	102-2106	Nozzle Assy. Intermediate, Orange (Used w/#3 Brown & #4 Orange Main Nozzles)	1
6	102-2107	Nozzle Assy. Intermediate, Gray (Used with #5 Green & #6 Gray Main Nozzles)	1
6	102-2981	Nozzle Assy. Intermediate, Red (Used with #7 Black Main Nozzle)	1
7	102-2980	Nozzle Assy. Inner, Red (with Restrictor)	1
8	89-1385	Snap Ring, Riser	1
9	363-4102	O-Ring, Body	1
10	102-0134	Retainer, Seal	1
11	102-0151	Spring, Return	1
12	363-4167	O-Ring, Nozzle Base	1
13	102-0202	Riser	1
14	102-4503	Drive Assembly, 12-Pack	1
15	102-1939	Stator Assembly, Low Flow, Yellow (Used with #1–#4 Main Nozzles)	1
15	102-1940	Stator Assembly, Medium Flow, White (Used with #5–#7 Main Nozzles)	1
16	102-1715	Screen, Riser	1
17	-----	Body Assembly (See p. 102)	1
18	-----	Pilot Valve Assembly (See p. 109)	1
		SERVICE ITEMS	
	102-2208	Nozzle, Main, Blank	
	102-0840	Nozzle, Inner/Intermediate, Blank, Red	
	102-2041	Restrictor, Yellow, Inner Nozzle	
	102-4337	Stream Straightener, Intermediate Nozzle	
	102-2502	Cap, 834S, w/o Graphics	
	102-2503	Cap, 834S, w/o Graphics, Effluent	
	89-4735	Yardage Marker, Yellow (10 Sheets per Pack)	
	834S-3134	Conversion Assembly, 834S w/ #31, 32, 33, 34 Nozzles, Dual Trajectory	
	834S-3134E	Conversion Assembly, 834S w/ #31, 32, 33, 34 Nozzles, Effluent, Dual Trajectory	
	834S-3537	Conversion Assembly, 834S w/ #35, 36, 37 Nozzles, Dual Trajectory	
	834S-3537E	Conversion Assembly, 834S w/ #35, 36, 37 Nozzles, Effluent, Dual Trajectory	
		SERVICE TOOLS	
	995-08	Valve Removal Tool	
	995-15	Selector Tool (Flag Key)	
	995-76	Valve Insertion Tool	
	995-79	Nut Driver, 7/16" (For Inner & Intermediate Nozzles)	
	995-83	Multi-purpose Tool	
	995-85	Riser Removal Tool	
	995-99	Nut Driver, 5/8" (For Main Nozzle)	
	995-100	Valve Snap Ring Pliers with Screen Remover	
	995-102	Riser Hold-up Tool, Universal	
		* Order Through Finished Goods Distribution System—Minneapolis	

834S Series Sprinkler – August 2007–Present



Model Number Information

Body Inlet	Arc	Body Threads	Valve Type	Nozzle	Pressure Regulation*	Optional
3—1"	4—Full circle	0—NPT 4—ACME 5—BSP	1—NO Hydraulic 2—Check-O-Matic 6—Electric	31 32 33 34 35 36 37	6—65 psi (4,5 Bar) 8—80 psi (5,5 Bar) 1—100 psi (6,9 Bar)	E—Effluent DL—Decoder N—Ni Plated Sol.

For Example:
When specifying a 834S Series Sprinkler with ACME threads, #34 nozzle, an electric valve and pressure regulation at 65 psi (4,5 Bar), you would specify:

834S-46-346

Note: For detailed model number availability and ordering information, refer to the Golf Finished Goods Price List (form no. 490-2844).

* Pressure Regulation available on Electric VIH models only.

Item No.	Part No.	Description	Quantity Per Assy.
1	89-1589	Plug, Cap	1
2	102-0362	Screw, Cap	1
3	363-4839	Radius Reduction Screw	1
4	102-5586	Cap, 834S	1
4	102-5590	Cap, 834S, Effluent	1
5	102-5837	Nozzle Base Assembly	1
6	102-2925	Intermediate Nozzle, Blue (Used w/ #1 Main)	1
6	102-2926	Intermediate Nozzle, Orange (Used w/ #2 Main)	1
6	102-2928	Intermediate Nozzle, Red (Used w/ #3 Main)	1
6	102-2929	Intermediate Nozzle, Beige (Used w/ #4–5 Mains)	1
6	102-6944	Intermediate Nozzle Assy., Red w/ Stream Straightener (Used w/ #6 Main)	1
6	102-6945	Intermediate Nozzle Assy., Gray w/ Stream Straightener (Used w/ #7 Main)	1
6	102-6883	Intermediate Nozzle, Brown (Used w/ #7 main, front position on the right of main)	1
7	102-6937	Nozzle Assy. Inner, Yellow Nozzle w/ Yellow Helical Restrictor	1
8	102-4335	Nozzle Plug	2
9	102-5978	O-Ring, Nozzle Housing	1
10	102-5597	Nozzle Housing Assy. (Includes Item 9)	1
11	363-4104	O-Ring, Main Nozzle	1
12	102-0725	Nozzle, Main, #1 (Yellow)	1
12	102-7001	Nozzle, Main, #2 (Blue)	1
12	102-0727	Nozzle, Main, #3 (Brown)	1
12	102-7002	Nozzle, Main, #4 (Orange)	1
12	102-6908	Nozzle, Main, #5 (Green)	1
12	102-0730	Nozzle, Main, #6 (Gray)	1
12	102-4261	Nozzle, Main, #7 (Black)	1
13	89-1385	Snap Ring, Riser	1
14	363-4102	O-Ring, Body	1
15	102-0134	Retainer, Seal	1
16	102-0151	Spring, Return	1
17	363-4167	O-Ring, Nozzle Base	1
18	102-0202	Riser	1
19	102-4503	Drive Assembly, 12-Pack	1
20	102-6929	Stator Assembly, Low Flow, High Velocity, Blue (Used with #1–#4 Main Nozzles)	1
20	102-1940	Stator Assembly, Medium Flow, White (Used with #5–#7 Main Nozzles)	1
21	102-1715	Screen, Riser	1
22	-----	Body Assembly (See p. 102)	1
23	-----	Pilot Valve Assembly (See p. 109)	1
		SERVICE ITEMS	
	102-2208	Nozzle, Main, Blank, White	
	102-5672	Cap, Blank	
	102-5673	Cap, Blank, Effluent	
	89-4735	Yardage Marker, Yellow (10 Sheets per Pak)	
	*834S-3134	Conversion, Full Circle, w/ #31, #32, #33 & #34 Nozzles	
	*834S-3134E	Conversion, Full Circle, w/ #31, #32, #33 & #34 Nozzles and Effluent (Lavender) Cap	
	*834S-3537	Conversion, Full Circle, w/ #35, #36 & #37 Nozzles	
	*834S-3537E	Conversion, Full Circle, w/ #35, #36 & #37 Nozzles and Effluent (Lavender) Cap-	
		SERVICE TOOLS	
	995-08	Valve Removal Tool	
	995-76	Valve Insertion Tool	
	995-15	Selector Tool (Flag Key)	
	995-99	Nut Driver, 5/8" (For Main Nozzle)	
	995-105	Nut Driver, 5/16" (For Inner & Intermediate Nozzles and Plugs)	
	995-83	Multi-purpose Tool	
	995-85	Riser Removal Tool	
	995-100	Valve Snap Ring Pliers with Screen Remover	
	995-102	Riser Hold-up Tool, Universal	
		* Order Through Finished Goods Distribution System—Minneapolis	