

S710

- **STRUCTRON**
- Round Point (Shark)
- Open Back
- Front Turn
- Fiberglass Handle



S712

- **STRUCTRON**
- Round Point
- Closed Back
- Front Turn
- Fiberglass Handle



UT45013

- **RAZORBACK**
- Round Point
- Closed Back
- Front Turn
- Fiberglass Handle



S700

- **STRUCTRON**
- Round Point
- Open Back
- Rear Rolled
- Fiberglass Handle



UT45000

- **RAZORBACK**
- Round Point
- Open Back
- Front Turn
- Fiberglass Handle



UT45037

- **TOUGH BUILT**
- Round Point
- Open Back
- Front Turn
- Shaped Fiberglass Handle



SV-DRMPFG

- **STRUCTRON**
- Round Point
- Mini Pro
- Front Turn
- D-Grip/ Fiberglass Handle



SV-LR30

- **SEYMOUR**
- Round Point
- Open Back
- Front Turn
- Ash Wood Handle



UT45520

- **RAZORBACK**
- Round Point
- Open Back
- Front Turn
- Ash Wood Handle



UT40191

- **UNION**
- Round Point
- Open Back
- Rear Rolled
- Ash Wood Handle



UT43106

- **UNION**
- Round Point
- Open Back
- Rear Rolled
- D-Grip/ Ash Handle



S701

- **STRUCTRON**
- Square Point
- Fiberglass Handle



S701D

- **STRUCTRON**
- Square Point
- D-Grip/Fiberglass Handle



UT44058

- **TOUGH BUILT**
- Square Point
- Shaped Fiberglass Handle



UT44106

- **UNION**
- Square Point
- Ash Wood Handle



- UT42106**
- UNION
 - Square Point
 - D-Grip/Ash Handle



- AS19D**
- STRUCTRON
 - #12 Aluminum Scoop
 - D-Grip/Fiberglass Handle



- GS18**
- STRUCTRON
 - #12 Poly Scoop
 - Fiberglass Handle



- GS18D**
- STRUCTRON
 - #12 Poly Scoop
 - D-Grip/Fiberglass Handle



- S605**
- STRUCTRON
 - Garden Spade
 - Straight Edge
 - Front Turn
 - Fiberglass Handle



- S605D**
- STRUCTRON
 - Garden Spade
 - Straight Edge
 - Front Turn
 - D-Grip/Fiberglass Handle



- UT46108**
- UNION
 - Garden Spade
 - Straight Edge
 - Rear Turn
 - D-Grip/Steel & Wood Handle



- S716**
- STRUCTRON
 - 1 1/2" Cleanout
 - Front Turn
 - Fiberglass Handle



- S703**
- STRUCTRON
 - 4" Trenching
 - Rear Rolled
 - Fiberglass Handle



- S702**
- STRUCTRON
 - 5" Trenching
 - Rear Rolled
 - Fiberglass Handle



- UT47034**
- RAZORBACK
 - 4" Trenching
 - Fiberglass Handle



- UT47035**
- RAZORBACK
 - 5" Trenching
 - Fiberglass Handle



- UT47023**
- RAZORBACK
 - 3" Trenching
 - Ash Wood Handle



- UT47024**
- RAZORBACK
 - 4" Trenching
 - Ash Wood Handle



- UT47025**
- RAZORBACK
 - 5" Trenching
 - Ash Wood Handle



Reinders

Trenching Shovels / Post Hole Diggers / Rakes

S704

- **STRUCTRON**
- 14" Drain Spade
- Fiberglass Handle



S704D

- **STRUCTRON**
- 14" Drain Spade
- D-Grip Fiberglass Handle



UT47107

- **UNION**
- 14" Drain Spade
- D-Grip/Ash Wood Handle



PD48

- **STRUCTRON**
- Post Hole Digger
- Fiberglass Handles



AU-A2

- **STRUCTRON**
- Post Hole Digger
- Adjustable Auger



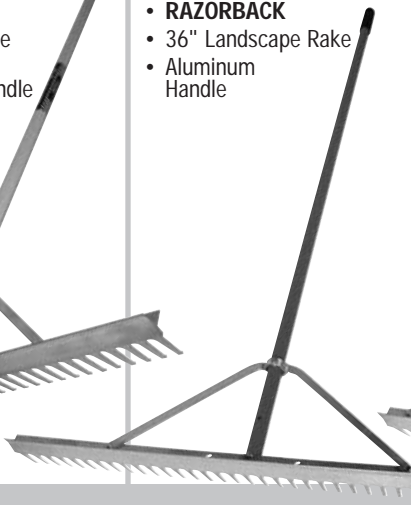
LR36

- **STRUCTRON**
- 36" Landscape Rake
- Fiberglass Handle



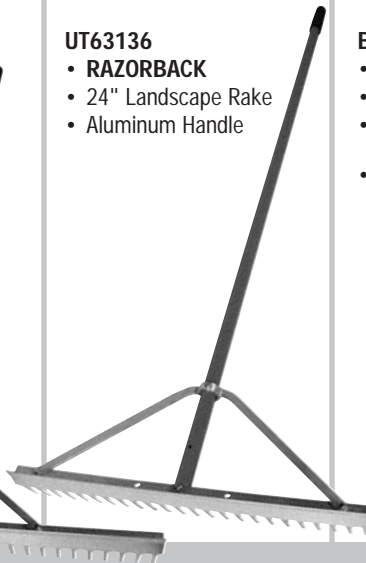
UT63000

- **RAZORBACK**
- 36" Landscape Rake
- Aluminum Handle



UT63136

- **RAZORBACK**
- 24" Landscape Rake
- Aluminum Handle



BR16

- **STRUCTRON**
- Bow Rake
- 16 Tine Forged Head
- Fiberglass Handle



UT63107

- **RAZORBACK**
- Bow Rake
- 14 Tine Welded Head
- Ash Wood Handle



LH16

- **STRUCTRON**
- Level Head Rake
- 16 Tine Forged Head
- Fiberglass Handle



UT63110

- **RAZORBACK**
- Level Head Rake
- 14 Tine Forged Head
- Ash Wood Handle



PR24

- **STRUCTRON**
- 24" Poly Leaf Rake
- Fiberglass Handle



LF-30PCG

- **SEYMOUR**
- 30" Poly Leaf Rake
- Cushioned Wood Handle



UT64104

- **UNION**
- 24" Poly Leaf Rake
- Cushioned Wood Handle



Reinders

Rakes/Forks/Striking Tools

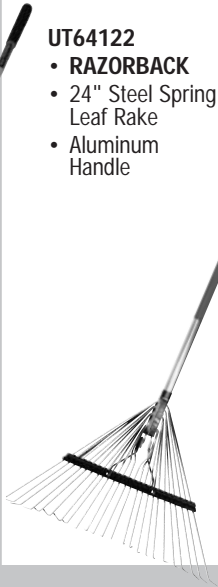
SR22

- **STRUCTRON**
- 22" Steel Spring Leaf Rake
- Fiberglass Handle



UT64122

- **RAZORBACK**
- 24" Steel Spring Leaf Rake
- Aluminum Handle



UT64004

- **RAZORBACK**
- 10" Steel Spring Leaf Rake
- Aluminum Handle



EF-30D

- **SEYMOUR**
- Mulching Fork
- 10 Tine Forged Head
- Steel & Wood D-Grip/Ash Handle



EF-20D

- **SEYMOUR**
- Mulching Fork
- 10 Tine Welded Head
- D-Grip/Ash Wood Handle



CF5

- **STRUCTRON**
- Mulching Fork
- 5 Tine Forged Head
- Fiberglass Handle



PB24R

- **STRUCTRON**
- 24" Push Broom For Rough Surfaces
- Fiberglass Handle



709

Replacement Broom Head for PB24R



UT68019

- **TOUGH BUILT**
- 4 Prong Cultivator
- Shaped Fiberglass Handle



H800

- **STRUCTRON**
- Garden Hoe
- 6" x 4 1/4" Forged Head
- Fiberglass Handle



UT30362

- **RAZORBACK**
- 3 1/2 lb Landscapers Axe (Pulaski)
- 36" Hickory Handle



UT30130

- **RAZORBACK**
- 2 1/2 lb Pick Mattock
- 36" Hickory Handle



UT30134

- **RAZORBACK**
- 5 lb Pick Mattock Head (order handle separate)



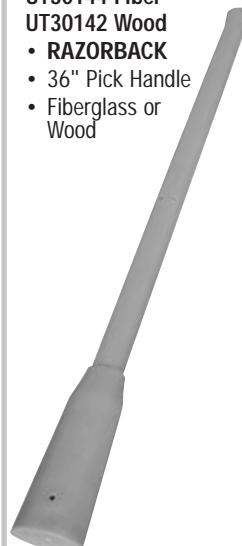
UT30138

- **RAZORBACK**
- 5 lb Railroad Pick Head (order handle separate)



UT30144 Fiber
UT30142 Wood

- **RAZORBACK**
- 36" Pick Handle
- Fiberglass or Wood



UT30596

- **RAZORBACK**
- 8 lb Double Face Sledge Hammer
- 36" Fiberglass Handle



Reinders

Striking Tools/Tampers/Winter Tools/Pruners

UT30580

- RAZORBACK
- 8 lb Double Face Sledge Hammer
- 36" Hickory Handle



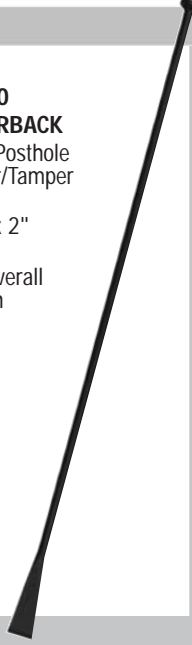
UT30567

- RAZORBACK
- 2 lb Hand Drilling Hammer
- 16" Hickory Handle



UT30670

- RAZORBACK
- 17 lb Posthole Digger/Tamper Bar
- 9 1/2" x 2" Blade
- 72" Overall Length



UT30650

- RAZORBACK
- 18 lb Pinch Point Bar
- 2 1/4" x 1 1/4" Blade
- 60" Overall Length



UT30638

- RAZORBACK
- 5 lb Wrecking Bar/Crow Bar
- 36" x 3/4" Hex Pattern



TP8

- STRUCTRON
- 8" x 8" Tamper
- Fiberglass Handle



UT30005

- RAZORBACK
- 10" x 10" Tamper
- Steel Handle w/10" End Grip



PP100

- STRUCTRON
- Snow Shovel
- 24" Push
- D-Grip/Fiberglass Handle



PS200

- STRUCTRON
- Snow Shovel
- 18" Scoop
- D-Grip/Fiberglass Handle



UT81104

- RAZORBACK
- Scraper/ Chopper
- 4" x 9" Forged Blade
- Ash Wood Handle



TP612

- STRUCTRON
- Pole Pruner
- Compound Rope Pull
- Extendable/6'-12' Fiberglass Handle



SB15
Replacement Blade for TP612



COR-TP3841

- CORONA
- Tree Pruner
- 12' Compound Action



EXB36

- STRUCTRON
- By-Pass Pruner
- Extendable Fiberglass Handle



COR-AL8441

- CORONA
- Bypass Lopper
- Hi-Performance Aluminum Handle



UT62343

- RAZORBACK
- By-Pass Pruner
- Premium Hardwood Handle

- UT62921**
 • **UNION**
 • 9" Folding Saw
 • Push-Pull Blade
 • 17" Overall Length



- COR-RS7255**
 • **CORONA**
 • Hot chrome plated for self cleaning and to prevent corrosion
 • Ergonomically designed, comfortable co-molded handle



- COR-BS4010**
 • **CORONA**
 • Replaceable blade with self-cleaning raker-tooth pattern
 • Lightweight tubular steel frame



- UT62918**
 • **UNION**
 • 21" Bow Saw



- UT83101**
 • **RAZORBACK**
 • Sod Lifter
 • Steel & Wood D-Grip/Ash Wood Handle



- UT60342**
 • **RAZORBACK**
 • Forged Trowel w/Ash Handle



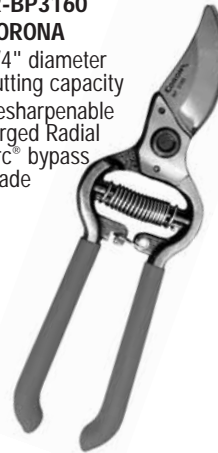
- UT62148**
 • **UNION**
 • Garden Trowel w/Cushioned Handle



- COR-BP4250**
 • **CORONA**
 • 1" diameter cutting capacity
 • Ergonomic angled head



- COR-BP3160**
 • **CORONA**
 • 3/4" diameter cutting capacity
 • Resharpener forged Radial Arc™ bypass blade



- COR-AC8300**
 • **CORONA**
 • 5" Super carbide file
 • Ideal for sharpening all blades



- UT62150**
 • **UNION**
 • Transplanting Trowel w/Cushioned Handle



- UT62152**
 • **UNION**
 • Cultivator w/Cushioned Handle



- COR-AC7220**
 • **CORONA**
 • Top grain leather construction
 • Stitched and riveted for durability



- COR-BP3180**
 • **CORONA**
 • 1" diameter cutting capacity
 • Replaceable, resharpenable Radial Arc™ bypass blade



- COR-AH6940**
 • **CORONA**
 • 8 1/2" resharpenable, forged steel alloy blades
 • Lightweight, high-strength elliptical aluminum handles

