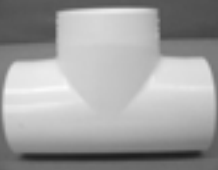












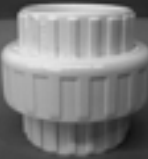


# PVC & Insert Fittings

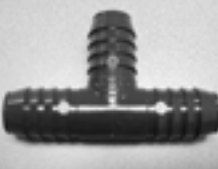




## PVC FITTINGS





*Reinders*

<b>401 TEE</b> 	<b>406 90° ELL</b> 	<b>417 45° ELL</b> 	<b>429 COUPLING</b> 	<b>435 FEMALE ADAPTER</b> 
<i>Soc x Soc x Soc</i>	<i>Soc x Soc</i>	<i>Soc x Soc</i>	<i>Soc x Soc</i>	<i>Soc x Fipt</i>
<b>436 MALE ADAPTER</b> 	<b>437 BUSHING</b> 	<b>438 BUSHING</b> 	<b>439 T.T. BUSHING</b> 	<b>447 CAP</b> 
<i>Mipt x Soc</i>	<i>Spig x Soc</i>	<i>Spig x Fipt</i>	<i>Mipt x Fipt</i>	<i>Soc</i>

<b>448 CAP</b> 	<b>449 PLUG</b> 	<b>450 PLUG</b> 	<b>457 UNION</b> 
<i>Fipt</i>	<i>Spig</i>	<i>Mipt</i>	<i>Soc x Soc</i>

## INSERT FITTINGS

<b>1401 TEE</b> 	<b>1402 TEE</b> 	<b>1406 90° ELL</b> 	<b>1407 90° ELL</b> 	<b>1429 COUPLING</b> 
<i>Insert x Insert x Insert</i>	<i>Insert x Insert x Fipt</i>	<i>Insert x Insert</i>	<i>Insert x Fipt</i>	<i>Insert x Insert</i>

<b>1435 FEMALE ADAPTER</b> 	<b>1436 MALE ADAPTER</b> 	<b>1449 PLUG</b> 	<b>1401 FUNNY PIPE TEE</b> 
<i>Insert x Fipt</i>	<i>Mipt x Insert</i>	<i>Insert</i>	<i>Insert x Insert x Funny Pipe (3/8")</i>

## Sizing Chart

1/2	=	005
3/4	=	007
1	=	010
1-1/4	=	012
1-1/2	=	015
2	=	020
2-1/2	=	025
3	=	030
4	=	040
6	=	060
3/4 x 1/2	=	101
1 x 1/2	=	130
1 x 3/4	=	131
1 x 1-1/4	=	132
1-1/4 x 1/2	=	166
1-1/4 x 3/4	=	167
1-1/4 x 1	=	168
1-1/2 x 1/2	=	209
1-1/2 x 3/4	=	210
1-1/2 x 1	=	211
1-1/2 x 1-1/4	=	212
1-1/2 x 2	=	213
2 x 1/2	=	247
2 x 3/4	=	248
2 x 1	=	249
2 x 1-1/4	=	250
2 x 1-1/2	=	251
2-1/2 x 1	=	289
2-1/2 x 1-1/4	=	290
2-1/2 x 1-1/2	=	291
2-1/2 x 2	=	292
3 x 1	=	335
3 x 1-1/4	=	336
3 x 1-1/2	=	337
3 x 2	=	338
3 x 2-1/2	=	339
4 x 2	=	420
4 x 2-1/2	=	421
4 x 3	=	422
6 x 2	=	528
6 x 3	=	530
6 x 4	=	532