

**Medium Flow Control Zone Kits  
with PR Filter**

- Shorter kits with only two components (valve plus pressure-regulating filter) mean that you can fit more Control Zone Kits in a valve box, saving time and money.
- These PR Filter kits provide on/off control, filtration, and pressure regulation with only two parts; so there is less chance of leakage at the connections, both at installation and over the life of the system.
- Choose from the robust and economical RBY Filter, or the innovative self-cleaning Back Flush Filter for maximum flexibility and ease of maintenance.

**Operating Range**

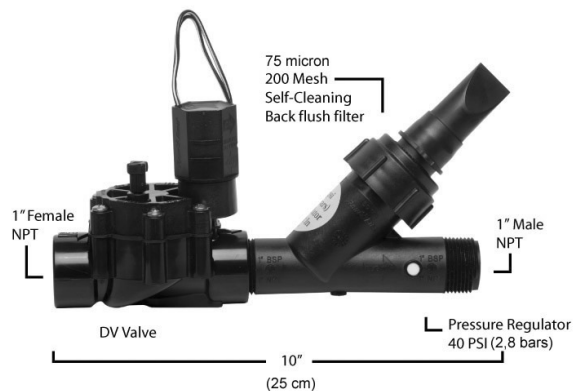
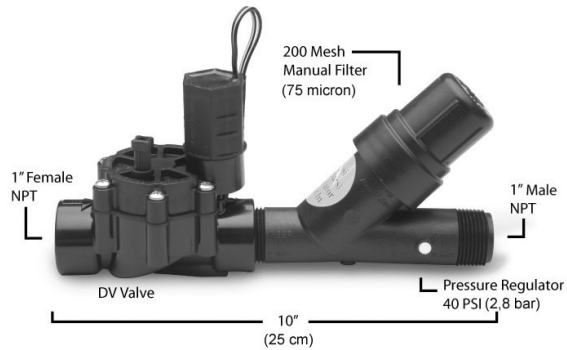
- Flow: 3.0 to 15.0 GPM (11,4 to 56,8 l/m)
- Inlet Pressure: 20 to 120 psi (1,4 to 8,3 bars)
- Filtration: 200 mesh (75 micron)
- Regulated Pressure: 40 psi (2,8 bars)

**Models**

- XCZ-100-PRF (1" DV Valve + 1" PR Filter [Assembled])\*
- XCZ-100-PRF-BF (1" DV Valve + 1" PR Back Flush Filter [Assembled])\*

\* Available with BSP threads

Minimum Inlet Pressure for 40 psi Outlet Pressure		
Flow (GPM)	Inlet Pressure (psi)	
	XCZ-100-PRF	XCZ-100-PRF-BF
3.0	42.9	43.2
5.0	44.1	44.5
8.0	46.9	47.5
10.0	48.5	49.5
15.0	55.5	57.4



<b>Ordering Information</b>		
Model #	Product Description	Ctn. Qty.
XCZ100PRF	Control Zone Kit w/ 1" DV Valve w/ 1" PR Filter	1
XCZ100PRFBF	Control Zone Kit w/ 1" DV Valve w/ 1" PR Back Flush Filter	1