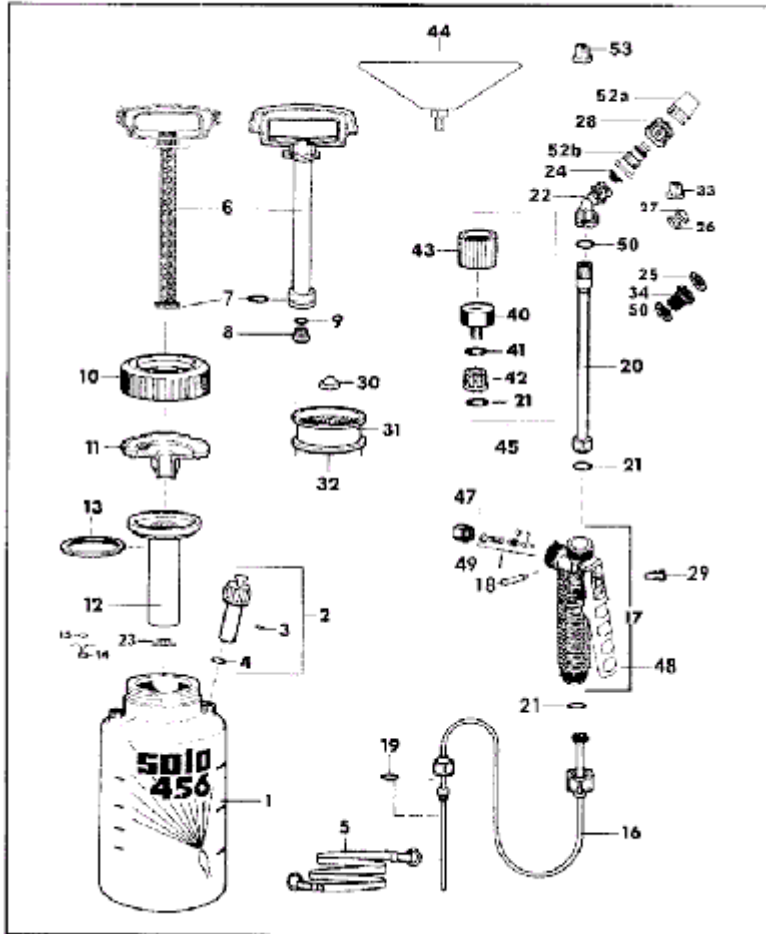




454, 456, 457 Illustrated Handheld Parts List

PARTS BREAKDOWN



Prices and technical specifications are subject to change without notice.

Handheld Sprayer Parts List -Order

Part numbers correspond with image above.

Pos. No.	OrderNo.	ForModel	Description
1	4071262	456	Tank, 2gallon
-	4071267	454	Tank, 1gallon
-	4071263	457	Tank, 3gallon
2	4800185		Pressure relief valve assembly
3	0062166	*	O-ring

4	0062258	*	O-ring
5	4300245		Carrying Strap
6	4073835		Pump piston, solid
-	4400256		Pump piston, hollow
7	0062264	*	O-ring
8	4074454		Plug
9	0062258		O-ring
10	4073528		Tank cap, red
-	4073111	HD	Tank cap, black
11	4074387		Cylinder support
12	4073527		Cylinder
-	4073834		Cylinder(use with0094308)
13	4061342	*	Gasket
14	4074656	*	Valve cone
15	0062165	*	O-ring
16	4900515	***	Pressure hose, assy.
-	4200221	457	Pressure hose, assy.
-	4200261	454	Pressure hose, assy.
17	4800170		Shut-off valve, assy.
18	4074295		Pin retaining
19	0062144	*	O-ring
20	4900230		Wand Assy.(inc. 51& 52)
21	0062271		O-ring
22	4074527		Elbow
23	0094308	*	Umbrella valve
24	4074283		Filter
25	0062106		O-ring
26	4074756		Swirl plate
27	4074758		Jet cap tip
28	4074148		Retaining nut
29	4074329		Lock clip
33	4074263		Flat spray nozzle

47	4074336	Retaining Nut
48	4074335	Lever
49	0610402-K	Shut-off valve repair kit
52	4900527	Plastic adj. nozzle (inc. a & b)

Accessories

Pos.No.	OrderNo.	ForModel	Description
-	4900405-K		Pump repair kit
-	4900323		Organic liquid spray kit
25	0062106	HD	O-ring
30	4074726	**	Hollow cone nozzle
31	4200166	**	Filter basket
32	4073410	**	Flange
34	2700316	HD	No drip check valve
35	4074337		Retaining nut
40	0065186		Pressure gauge
41	0062249		O-ring
42	4074338		Retaining nut
43	4065189		Pressure gauge guard
44	4900430		Drift guard
45	4900356		Pressure gauge assy.
50	0062115	HD	O-ring
53	0065210	HD	Brass flat spray nozzle

* Pump repair kit

** Organic liquid spray kit

***Cutpick-up tube to fit for models 454 & 456